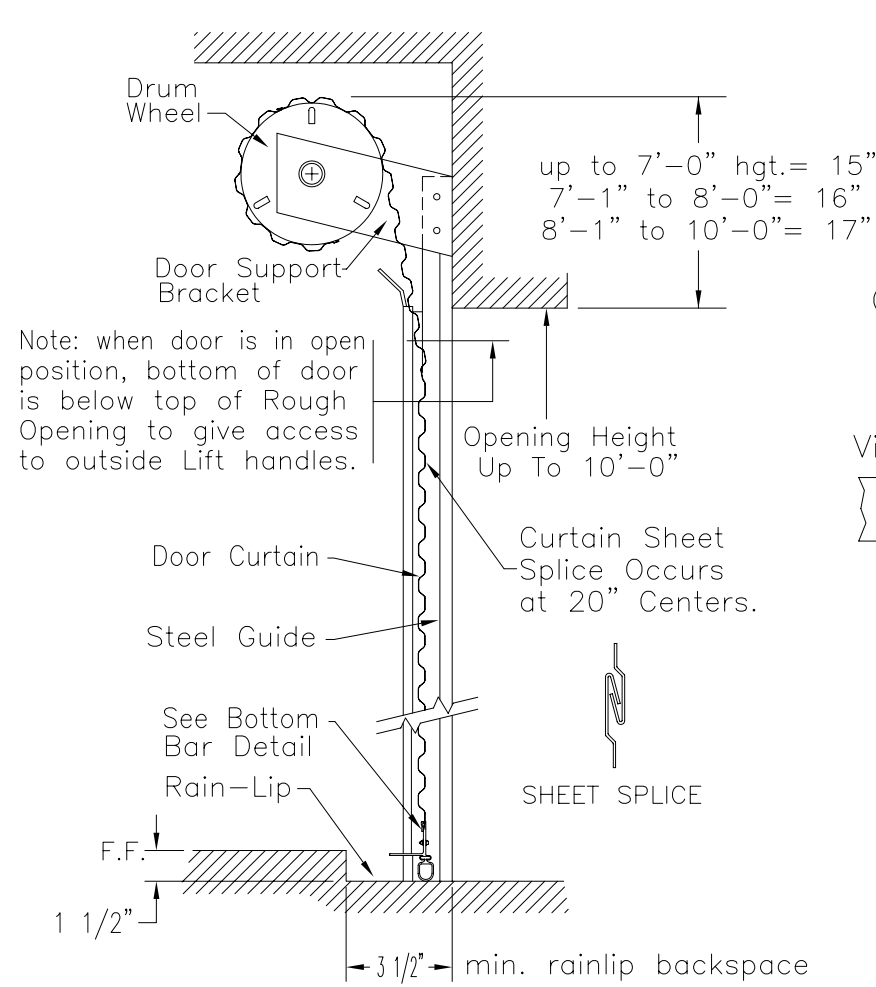


**INTERIOR ELEVATION**

Scale: None

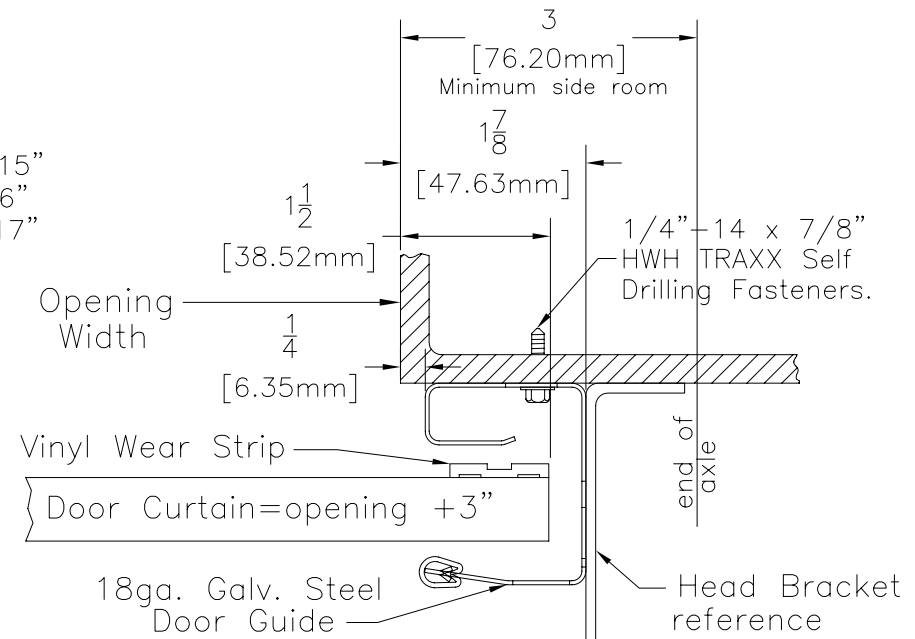
Mounting: maximum spacing of guide anchors "X" = 32".

Door Curtain: .017 Hot Dip Galvanized Steel ASTM A-653 Structural Steel (Grade 80) With Full Coat Of Primer And Baked Polyester Finish Coat.

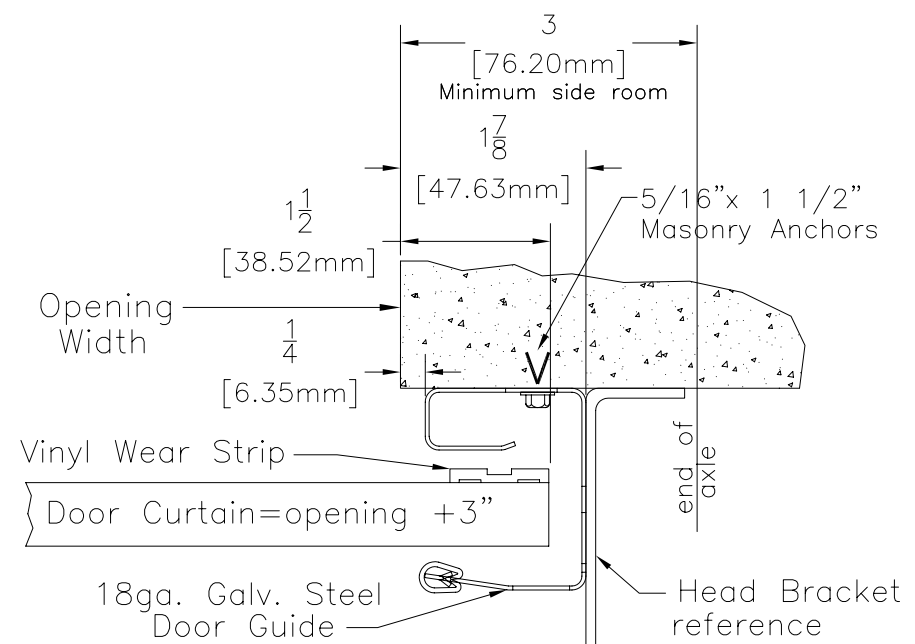


**SECTION THRU DOOR**

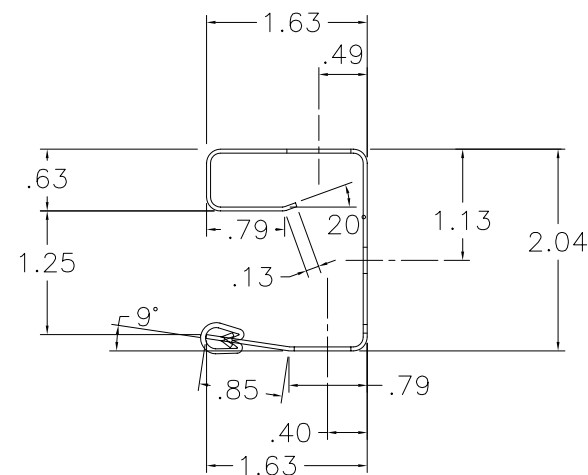
Scale: None



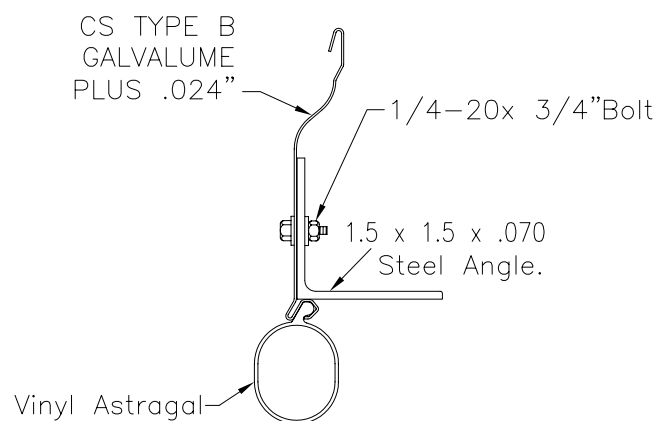
**STEEL JAMB DETAIL**



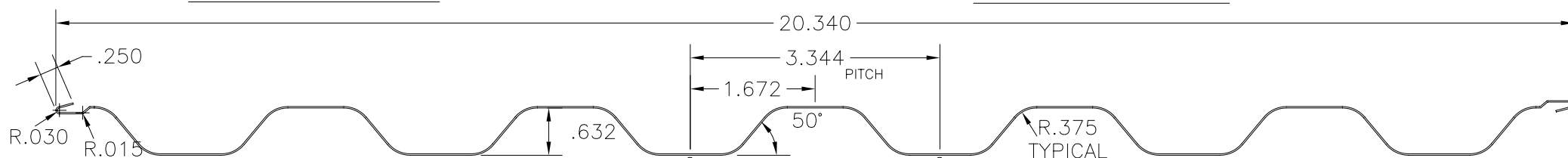
**MASONRY JAMB DETAIL**



**DOOR GUIDE**



**BOTTOM BAR**



**CORRUGATED SHEET**

Scale: None

"D"					
"C"					
"B"					
"A"				MANUAL	
DOOR	QTY.	WIDTH	HGT.	TYPE OF OPERATION	SPECIAL COMMENTS

Maximum door size 10'-0" wide x 10'-0" high

MODEL 501

	JOB: _____	DATE: 07.01.09 SHEET: 1
	CONTRACTOR: _____	DRAWN BY: C.D.W.
ARCHITECT: _____	CHECKED BY: _____	
ADDRESS: _____	DRAWING NUMBER: _____	
10407 Rocket Blvd. Orlando Fl. 32824		
407.859.6770 Fax 407.447.2923 usdoor.com		

July 1, 2009