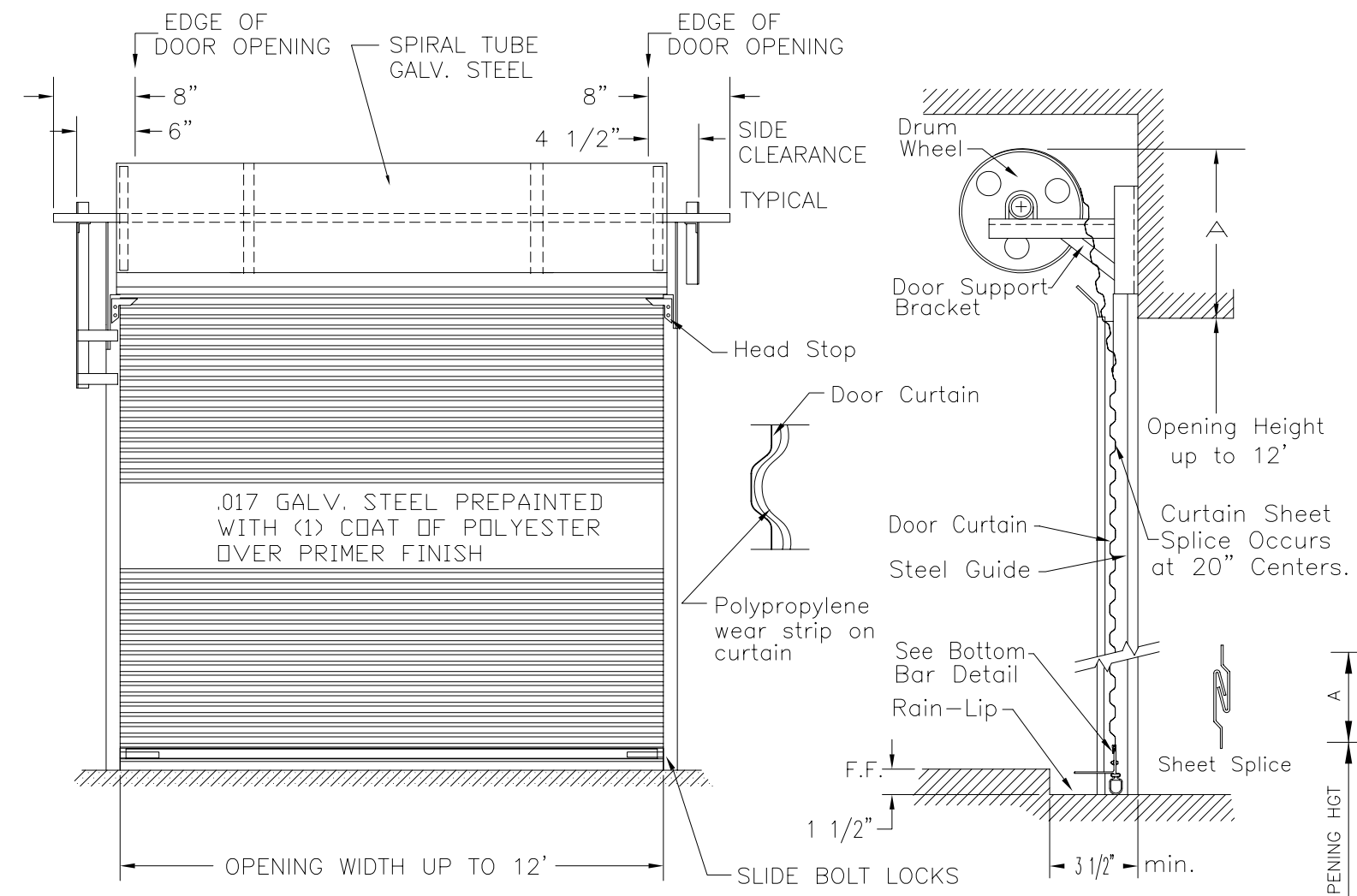


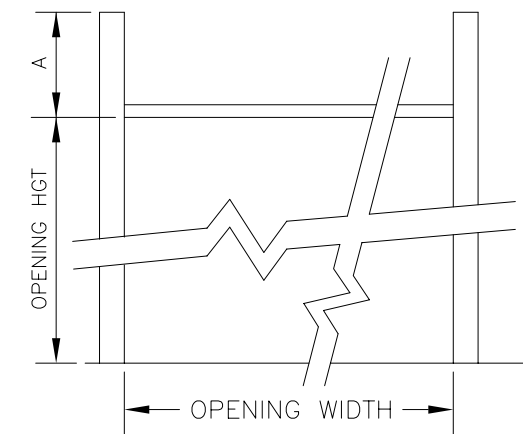
| REV | DATE | ECN NO. | DESCRIPTION | APPVD: |
|-----|------|---------|-------------|--------|
| | | | | |



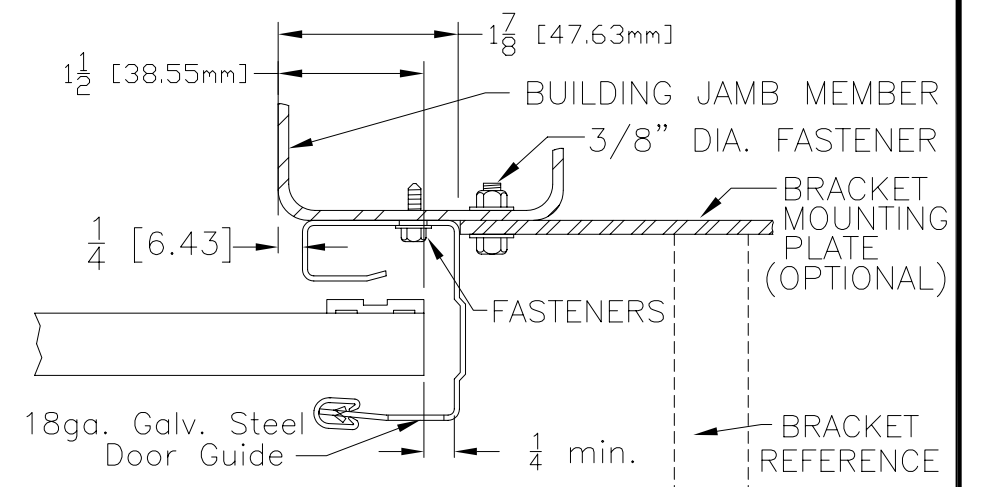
INTERIOR ELEVATION

SIDE ELEVATION

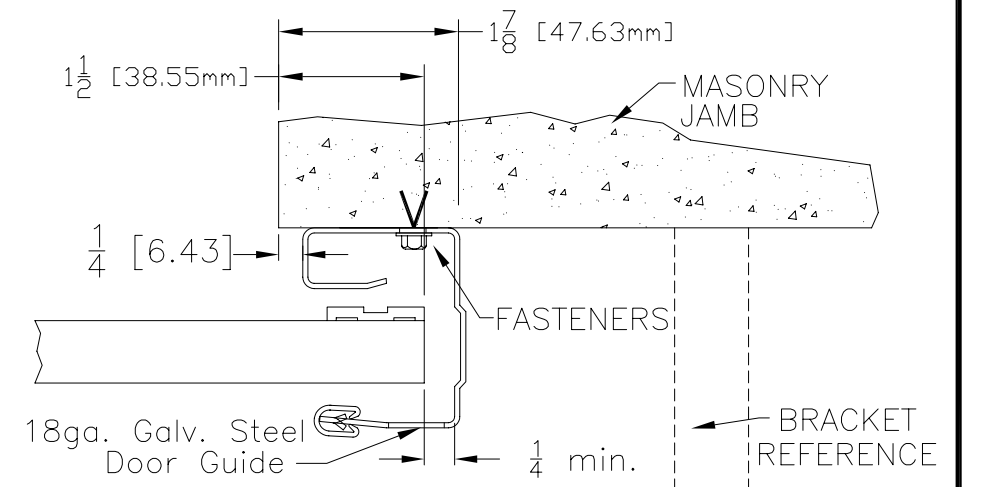
| HEADROOM | "A" DIM |
|------------------|---------|
| UP TO 8'-0" | 16" |
| 8'-0" TO 10'-0" | 17" |
| 10'-1" TO 12'-0" | 18" |



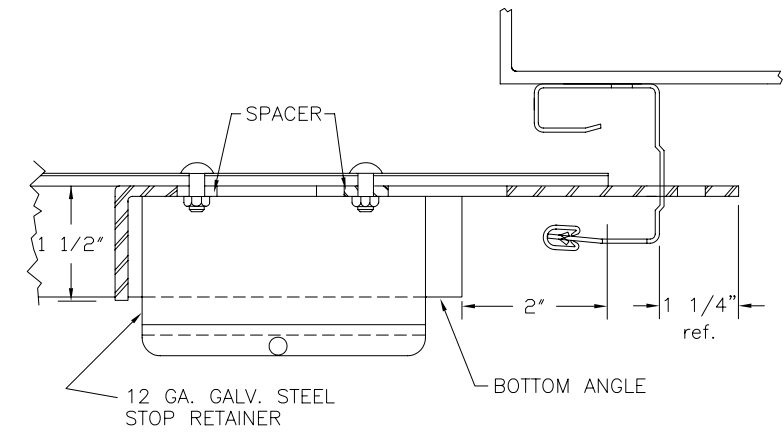
FRAMING DETAIL
@ DOOR OPENING



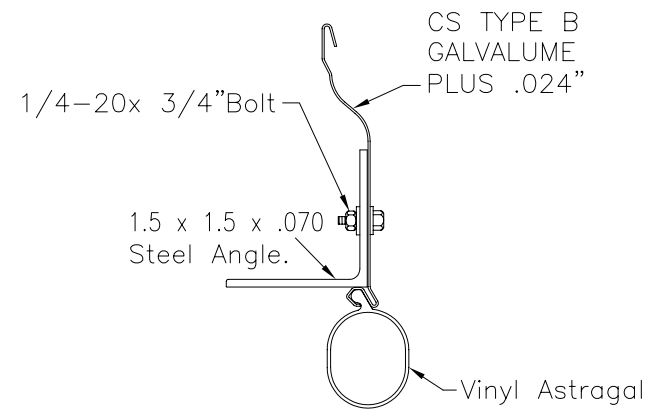
STEEL JAMB



MASONRY JAMB

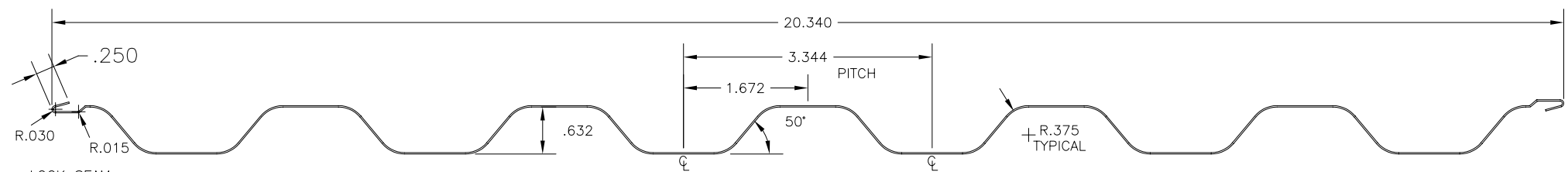


SLIDE BOLT LOCK ASSEMBLY



BOTTOM BAR

| "D" | | | | | | | |
|------|------|-------|------|-------------------|-------|-------|----------|
| "C" | | | | | | | |
| "B" | | | | | | | |
| "A" | | | | | | | |
| DOOR | QTY. | WIDTH | HGT. | TYPE OF OPERATION | JAMBS | COLOR | COMMENTS |



CORRUGATED SHEET

MODEL 551

10407 Rocket Blvd. Orlando Fl. 32824
407.859.6770 Fax 407.447.2923 usdoor.com

JOB: _____
CONTRACTOR: _____
ARCHITECT: _____
ADDRESS: _____
DISTRIBUTOR: _____
ADDRESS: _____

DATE: 04.21.08 SHEET: 1
DRAWN BY: CDW
CHECKED BY: GOG
DRAWING NUMBER
551-00-144