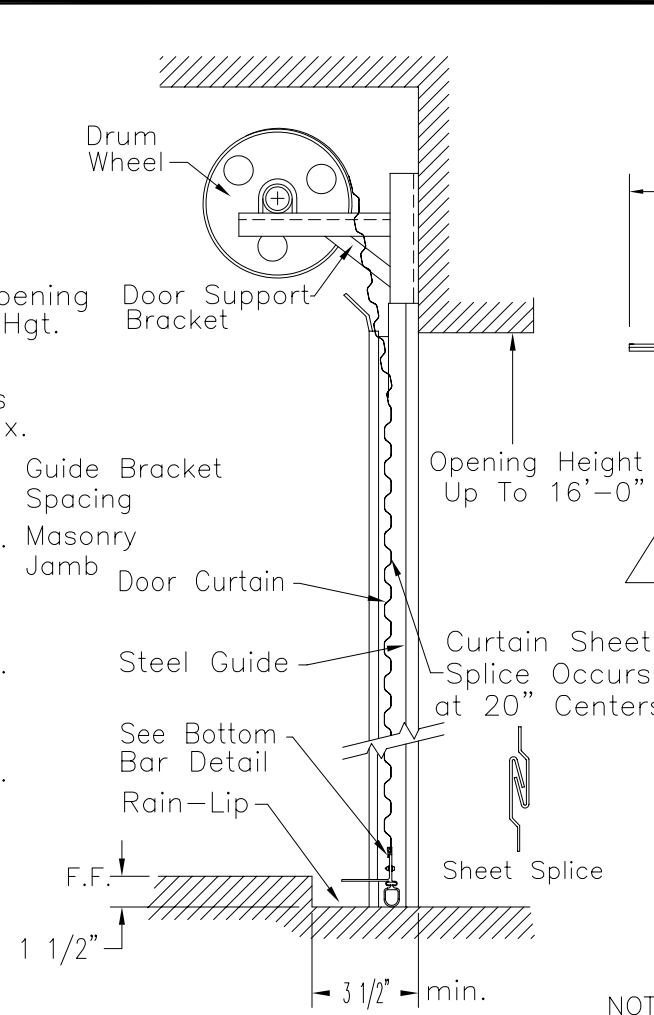


INTERIOR ELEVATION

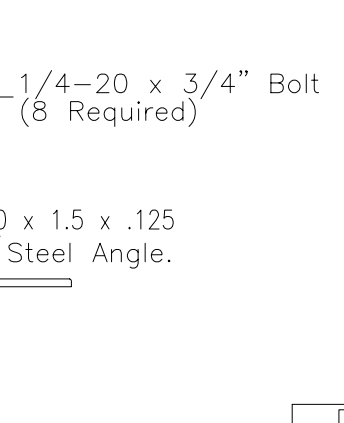
Guide Fastener Spacing & Track Bracket Spacing Similar for Both Guides. Scale: None



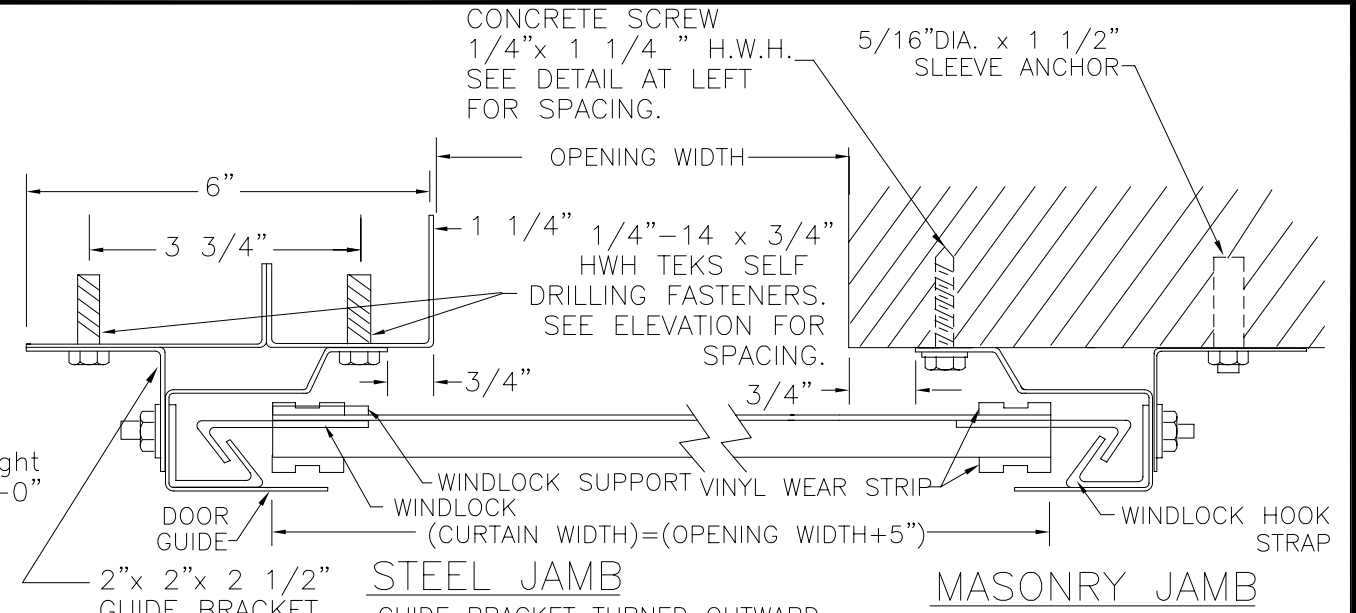
SECTION @ DOOR

Door Curtain: .018±.001 Hot Dip Galvanized Steel ASTM A-653 Structural Steel (Grade 80) With Full Coat Of Primer And Baked Polyester Finish Coat.

NOTE WINDLOCKS STAMPED FROM .130" GALV. STEEL (.75"x 2.375") AND RIVETED TO ALTERNATE CORRUGATIONS WITH (2) 3/16" STEEL POP RIVETS SUPPORTED BY A 16 GA. STEEL BACK UP PLATE ON EXTERIOR SIDE OF DOOR CURTAIN.

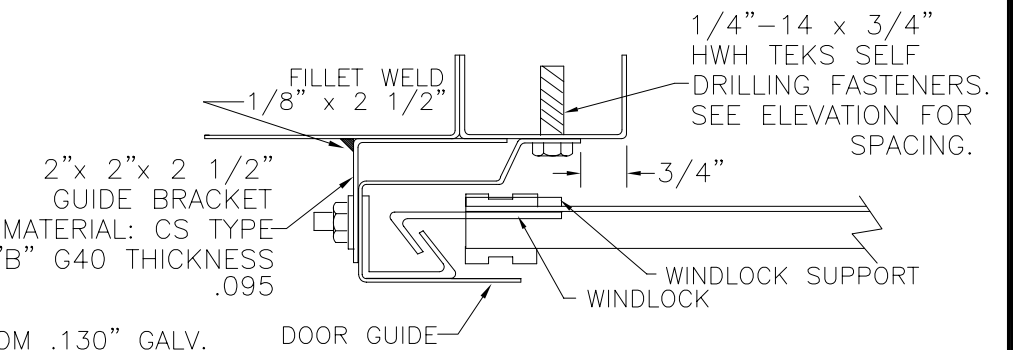


BOTTOM BAR



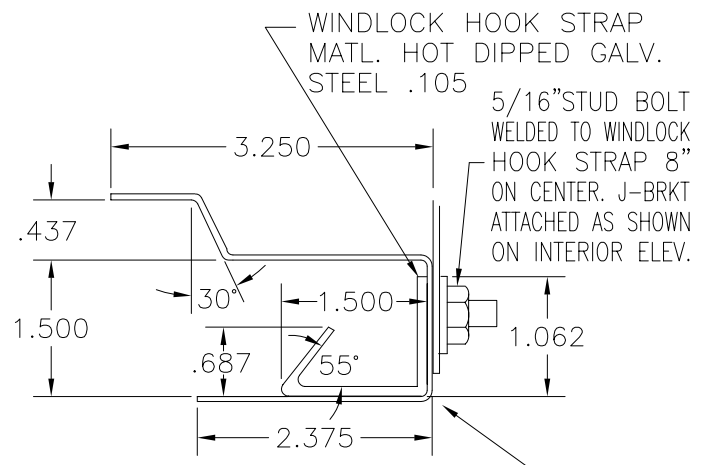
2"x 2"x 2 1/2" STEEL JAMB GUIDE BRACKET MATERIAL: CS TYPE "B" G40 THICKNESS .095

MASONRY JAMB



STEEL JAMB

GUIDE BRACKET TURNED IN & WELDED ALTERNATE MOUNTING

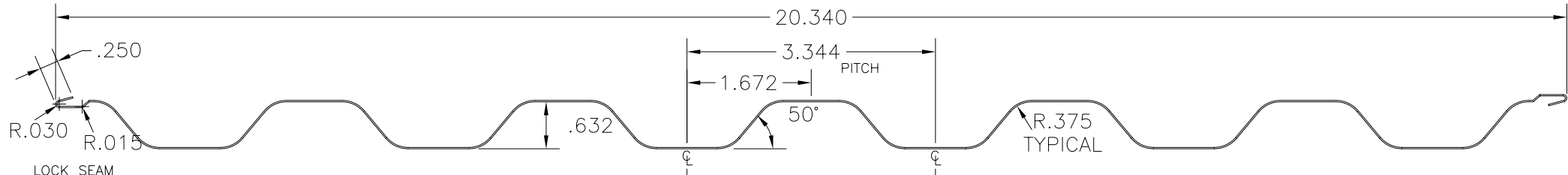


DOOR GUIDE

GUIDES MADE FROM .070 HOT DIPPED GALV. STEEL

TABLE 1

| Model | Maximum Door Width | Maximum Door Height | Drawing Number | Design Load Positive P.S.F. | Design Load Negative P.S.F. |
|-------|--------------------|---------------------|----------------|-----------------------------|-----------------------------|
| 651 | 8'-0" | 16'-0" | 651-37-192 | 118.8 | 118.8 |
| 651 | 10'-0" | 16'-0" | 651-37-192 | 80.1 | 80.1 |
| 651 | 12'-0" | 16'-0" | 651-37-192 | 58.9 | 58.9 |
| 651 | 14'-0" | 16'-0" | 651-37-192 | 45.8 | 45.8 |
| 651 | 16'-0" | 16'-0" | 651-37-192 | 37.0 | 37.0 |



CORRUGATED SHEET

Refer to test report No. CTLA 1956W-1 Dated 02/27/09

Doors designed for 37² #/ft POS./NEG. PSF wind load Maximum door size 16'-0" wide x 16'-0" high

COLOR:

| D | | | | | |
|------|------|-------|--------|-------------------|------------------|
| C | | | | | |
| B | | | | | |
| A | | | | | |
| DOOR | QTY. | WIDTH | HEIGHT | TYPE OF OPERATION | SPECIAL COMMENTS |

MODEL 651-37

U.S. Door & Building Components

10407 Rocket Blvd. Orlando Fl. 32824
407.859.6770 Fax 407.447.2923 usdoor.com

JOB: _____
CONTRACTOR: _____
ARCHITECT: _____
ADDRESS: _____
DISTRIBUTOR: _____
ADDRESS: _____

DATE: 11/19/02 SHEET: 1
DRAWN BY: C.D.W.
CHECKED BY: G.O.G.
DRAWING NUMBER: 651-37-192

Scale: None

Revised 02-27-09