



MIAMI-DADE COUNTY
 BUILDING CODE COMPLIANCE OFFICE (BCCO)
 PRODUCT CONTROL DIVISION

MIAMI-DADE COUNTY, FLORIDA
 METRO-DADE FLAGLER BUILDING
 140 WEST FLAGLER STREET, SUITE 1603
 MIAMI, FLORIDA 33130-1563
 (305) 375-2901 FAX (305) 372-6339

NOTICE OF ACCEPTANCE (NOA)

www.miamidade.gov/buildingcode

US Door & Building Components LLC
 10407 Rocket Boulevard.
 Orlando, FL 32824

SCOPE:

This NOA is being issued under the applicable rules and regulations governing the use of construction materials. The documentation submitted has been reviewed by Miami-Dade County Product Control Division and accepted by the Board of Rules and Appeals (BORA) to be used in Miami Dade County and other areas where allowed by the Authority Having Jurisdiction (AHJ).

This NOA shall not be valid after the expiration date stated below. The Miami-Dade County Product Control Division (In Miami Dade County) and/or the AHJ (in areas other than Miami Dade County) reserve the right to have this product or material tested for quality assurance purposes. If this product or material fails to perform in the accepted manner, the manufacturer will incur the expense of such testing and the AHJ may immediately revoke, modify, or suspend the use of such product or material within their jurisdiction. BORA reserves the right to revoke this acceptance, if it is determined by Miami-Dade County Product Control Division that this product or material fails to meet the requirements of the applicable building code.

This product is approved as described herein, and has been designed to comply with the Florida Building Code, including the High Velocity Hurricane Zone.

DESCRIPTION: Model 651-58-168 Steel Rolling Door 14'-0" Wide

APPROVAL DOCUMENT: Drawing No. **651-58-168**, titled "Model 651-58-168", dated 10/07/09, sheets 1 and 2 of 2, prepared by US Door & Building Components, signed and sealed by Joseph H. Dixon Jr., P.E., bearing the Miami-Dade County Product Control renewal stamp with the Notice of Acceptance number and expiration date by the Miami-Dade County Product Control Division.

MISSILE IMPACT RATING: Large and Small Missile Impact Resistant

LABELING: Each unit shall bear a permanent label with the manufacturer's name or logo, city, state and following statement: "Miami-Dade County Product Control Approved", unless otherwise noted herein.

RENEWAL of this NOA shall be considered after a renewal application has been filed and there has been no change in the applicable building code negatively affecting the performance of this product.

TERMINATION of this NOA will occur after the expiration date or if there has been a revision or change in the materials, use, and/or manufacture of the product or process. Misuse of this NOA as an endorsement of any product, for sales, advertising or any other purposes shall automatically terminate this NOA. Failure to comply with any section of this NOA shall be cause for termination and removal of NOA.

ADVERTISEMENT: The NOA number preceded by the words Miami-Dade County, Florida, and followed by the expiration date may be displayed in advertising literature. If any portion of the NOA is displayed, then it shall be done in its entirety.

INSPECTION: A copy of this entire NOA shall be provided to the user by the manufacturer or its distributors and shall be available for inspection at the job site at the request of the Building Official.

This NOA **renews NOA # 08-1114.03** and consists of this page 1 and evidence page E-1, as well as approval document mentioned above.

The submitted documentation was reviewed by **Carlos M. Utrera, P.E.**



[Handwritten Signature]
 04/26/10

NOA No. 10-0208.03
 Expiration Date: December 28, 2014
 Approval Date: April 28, 2010
 Page 1

NOTICE OF ACCEPTANCE: EVIDENCE SUBMITTED

A. DRAWINGS

1. Drawing No. **651-58-168**, titled "Model 651-58-168", dated 10/07/09, sheets 1 and 2 of 2, prepared by US Door & Building Components, signed and sealed by Joseph H. Dixon Jr., P.E.

B. TESTS

1. Test reports on 1) Uniform Static Air Pressure Test, Loading per FBC, TAS 202-94
2) Large Missile Impact Test per FBC, TAS 201-94
3) Cyclic Wind Pressure Loading per FBC, TAS 203-94
4) Forced Entry Test, per FBC 2411 3.2.1, TAS 202-94
5) Tensile Test per ASTM E8-01,
Along with marked-up drawings and installation diagram of 24 Gauge Model 651 Roll-up Door System, prepared by Certified Testing Laboratories, Test Report No. **CTLA 1997W**, dated 10/30/09, signed and sealed by Ramesh Patel, P.E.
2. Test report on salt spray exposure of 0.024" G40 Pre-paint and 0.024" Galvalume Plus in comparison with 0.022" G90 Coupons per ASTM B-117, prepared by PRI Construction Materials Technologies, LLC, Test Report # **PRI09100**, dated 12/30/09, signed by Duc T. Nguyen, P.E.

C. CALCULATIONS

1. Calculations for attachment of guide to steel or masonry jamb, prepared by Joseph H. Dixon, Jr. P.E., dated 12/07/09, signed and sealed by Joseph H. Dixon, P.E.

D. QUALITY ASSURANCE

1. Miami Dade Building Code Compliance Office (BCCO)

E. MATERIAL CERTIFICATIONS

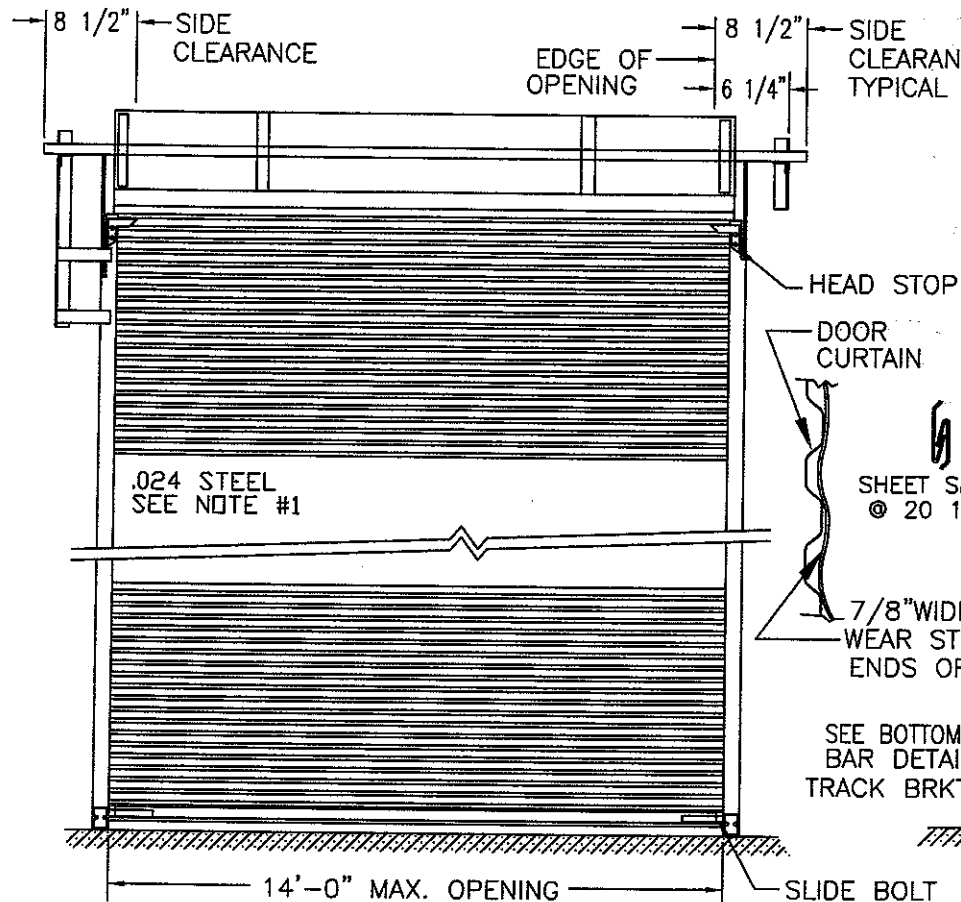
1. None.

F. STATEMENTS

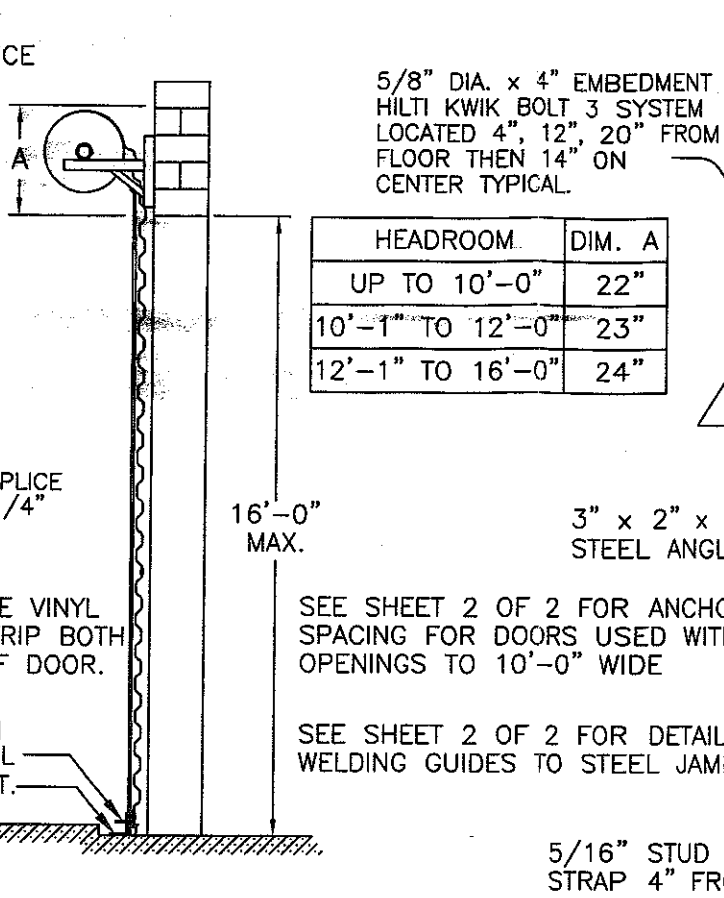
1. Statement letter of code conformance, issued by Joseph H. Dixon, dated 12/08/09, signed and sealed by Joseph H. Dixon, Jr., P.E.
2. Statement letter of no financial interest, issued by Joseph H. Dixon, dated 12/08/09, signed and sealed by Joseph H. Dixon, Jr., P.E.



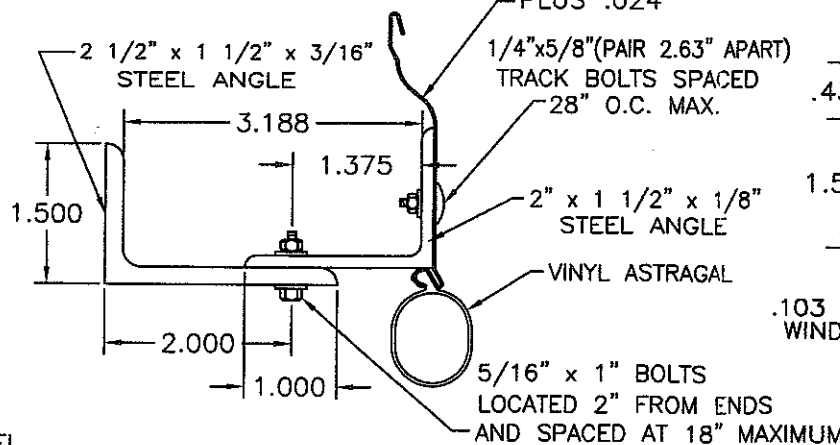
Carlos M. Utrera, P.E.
Product Control Examiner
NOA No. 10-0208.03
Expiration Date: December 28, 2014
Approval Date: April 28, 2010



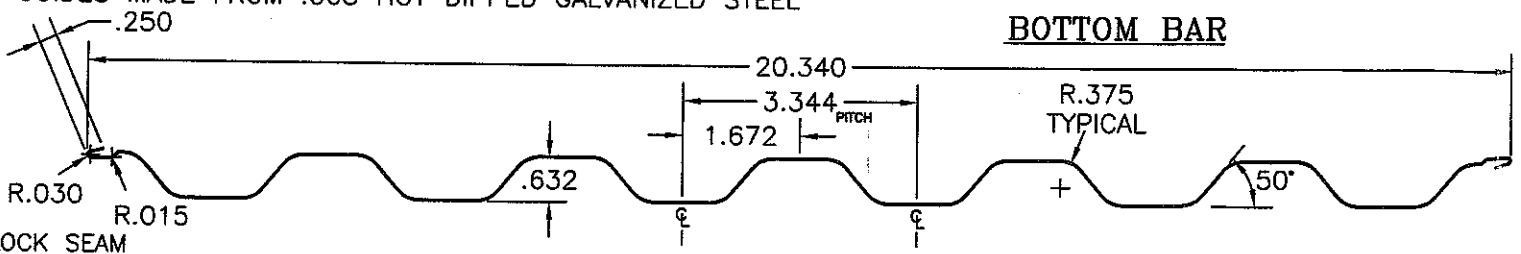
INTERIOR ELEVATION



SIDE ELEVATION

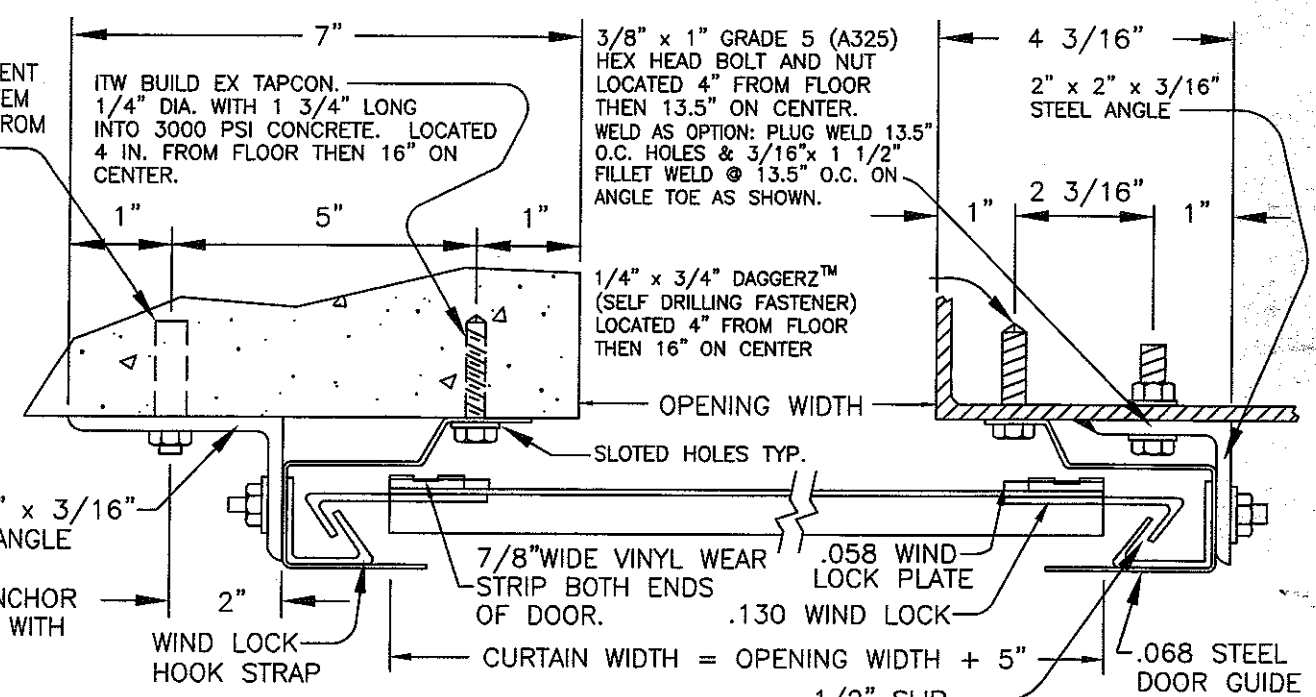


BOTTOM BAR



CORRUGATED SHEET

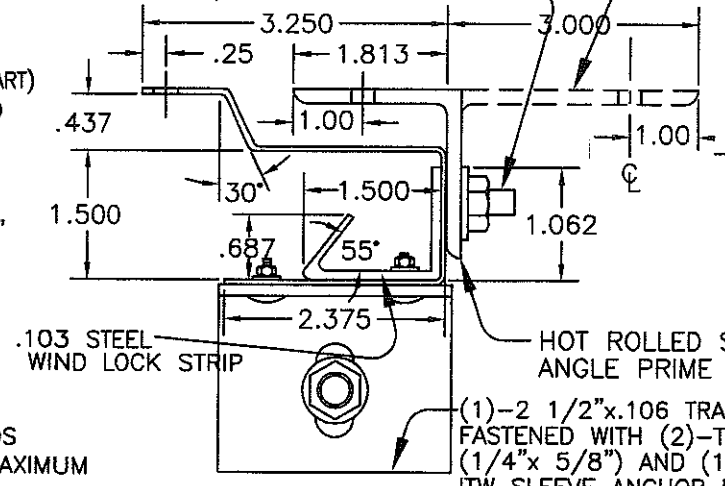
HEADROOM.	DIM. A
UP TO 10'-0"	22"
10'-1" TO 12'-0"	23"
12'-1" TO 16'-0"	24"



3000 PSI CONCRETE

THIS LEG MUST BE 3" LONG WHEN TURNED OUT

5/16" STUD BOLT WELDED TO WIND LOCK HOOK STRAP 4" FROM FLOOR AND 8" ON CENTER THEREAFTER. THE 2" x 2" x 3/16" ANGLE OR 3" x 2" x 3/16" ANGLE IS ATTACHED WITH THE SAME 5/16" STUD BOLTS.



GUIDE DETAIL

SLIDE BOLT LOCK ASSY.

MODEL 651 DCC
SERIES
50 PSF POSITIVE/58 PSF NEGATIVE

PRODUCT RENEWED as complying with the Florida Building Code
Acceptance No 10-0208-03
Expiration Date 12/28/2014
By *[Signature]*
Miami Dade Product Control Division

[Signature]
12/7/09
FL 7768

MODEL 651-58-168

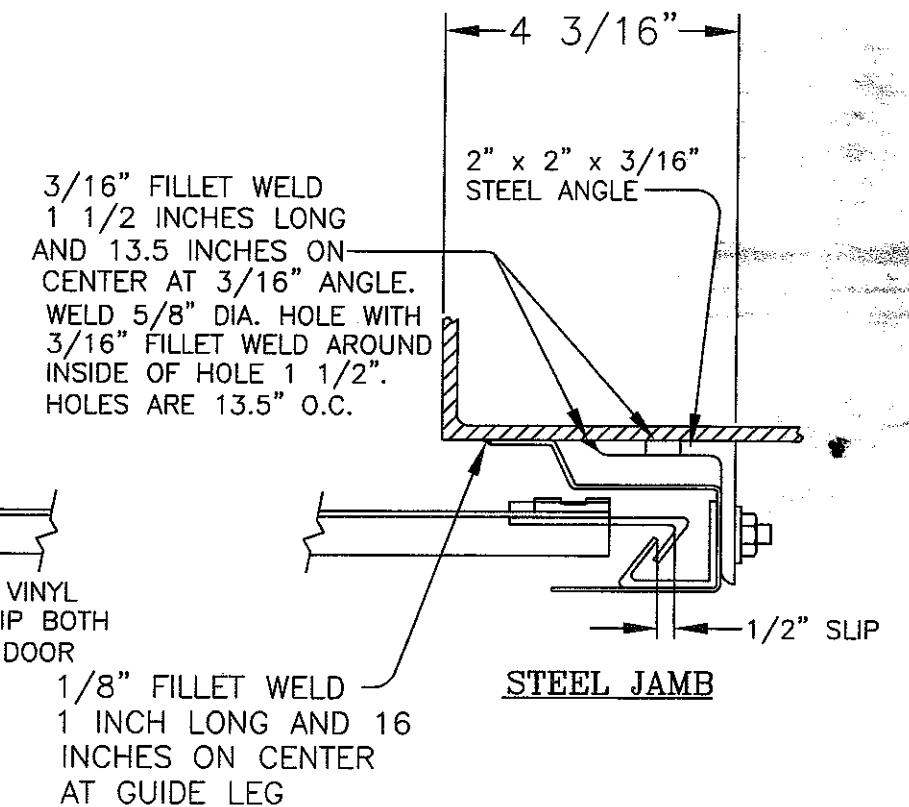
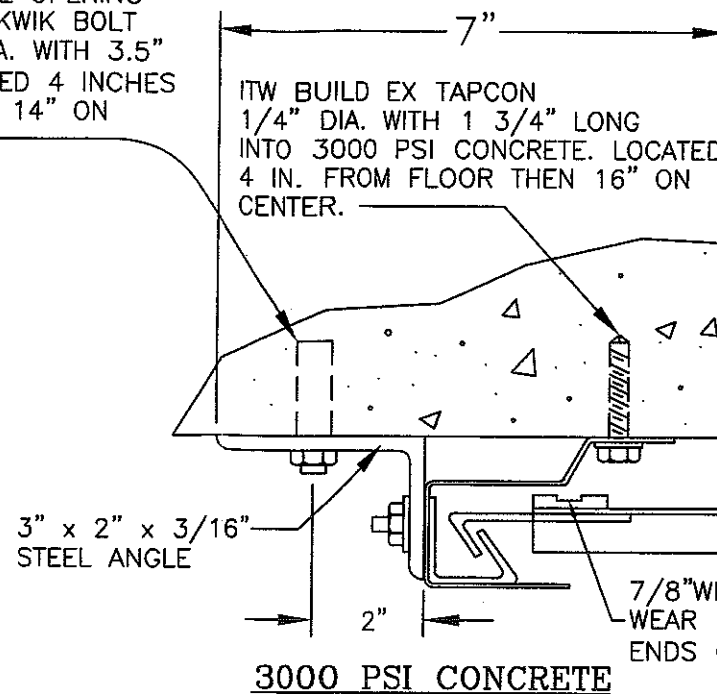
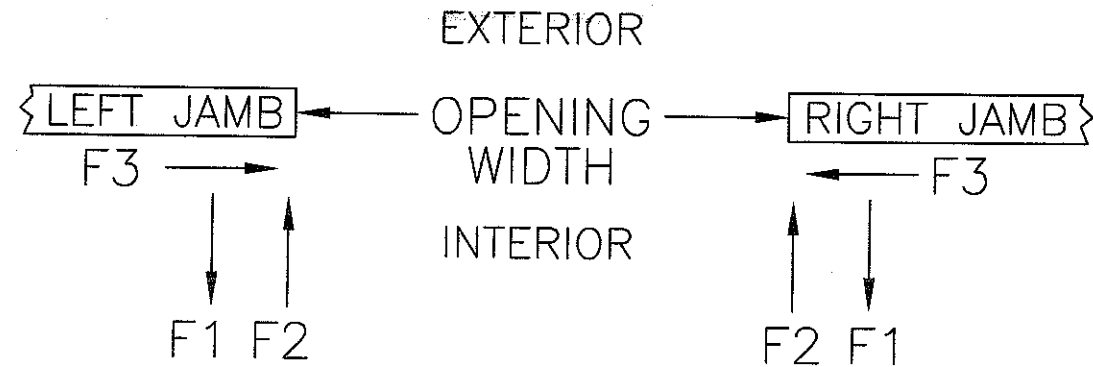
U.S. Door & Building Components	JOB: _____	DATE: 10.07.09 SHEET: 1 of 2
	CONTRACTOR: _____	DRAWN BY: C.D.W.
10407 Rocket Blvd. Orlando FL 32824 407.859.6770 Fax 407.447.2923 usdoor.com	ARCHITECT: _____	CHECKED BY: G.O.G.
	ADDRESS: _____	DRAWING NUMBER
	DISTRIBUTOR: _____	651-58-168
	ADDRESS: _____	

SEE SHEET 2 FOR ADDITIONAL INFORMATION

Last revision 11.13.09

BUILDING DESIGNER NOTE:
 STRUCTURE MUST BE DESIGNED
 TO SUPPORT FORCES F1, F2 &
 F3 (SHOWN AS LB/FT OF OPENING
 HEIGHT) AT EACH JAMB. VALUES
 ARE SHOWN IN CHARTS BELOW.

UP TO 10'-0" WIDE OPENING
 REQUIRES A HILTI KWIK BOLT
 3 SYSTEM 1/2" DIA. WITH 3.5"
 EMBEDMENT. LOCATED 4 INCHES
 FROM FLOOR THEN 14" ON
 CENTER.



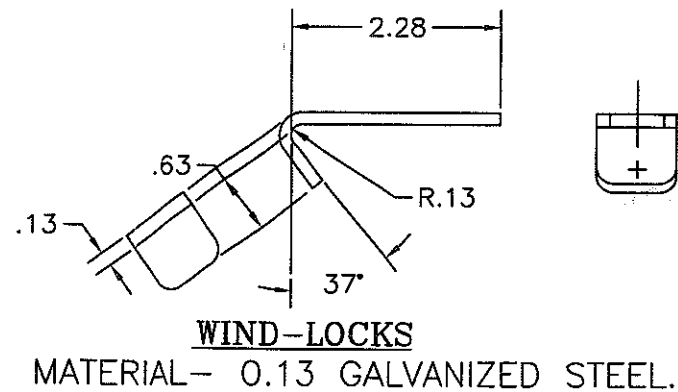
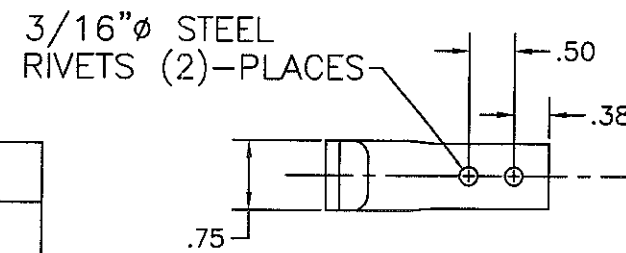
FORCES ON STRUCTURE/CONCRETE JAMBS

DOOR OPENING WIDTH	POSITIVE			NEGATIVE		
	F1	F2	F3	F1	F2	F3
TO 10'-0"	318	66	723	190	482	904
10'-1" TO 14'-0"	653	301	1659	489	897	1958

FORCES ON STRUCTURE/STEEL JAMBS

DOOR OPENING WIDTH	POSITIVE			NEGATIVE		
	F1	F2	F3	F1	F2	F3
TO 10'-0"	1292	1040	723	1297	1590	904
10'-1" TO 14'-0"	2847	2495	1659	2928	3336	1958

NOTE: VALUES SHOWN ARE THE HIGHER OF EITHER
 BOLTED OR WELDED CONNECTION.



PRODUCT RENEWED
 as complying with the Florida
 Building Code
 Acceptance No 10-0203.03
 Expiration Date 12/28/2014
 By *[Signature]*
 Miami Dade Product Control
 Division

[Handwritten Signature]
 12/7/09
 FL7768

MODEL 651-58-168

U.S. Door & Building Components 10407 Rocket Blvd. Orlando Fl. 32824 407.859.6770 Fax 407.447.2923 usdoor.com	JOB: _____	DATE: 10.07.09 SHEET: 2 of 2
	CONTRACTOR: _____	DRAWN BY: C.D.W.
	ARCHITECT: _____	CHECKED BY: G.O.G.
	DISTRIBUTOR: _____	DRAWING NUMBER: 651-58-168