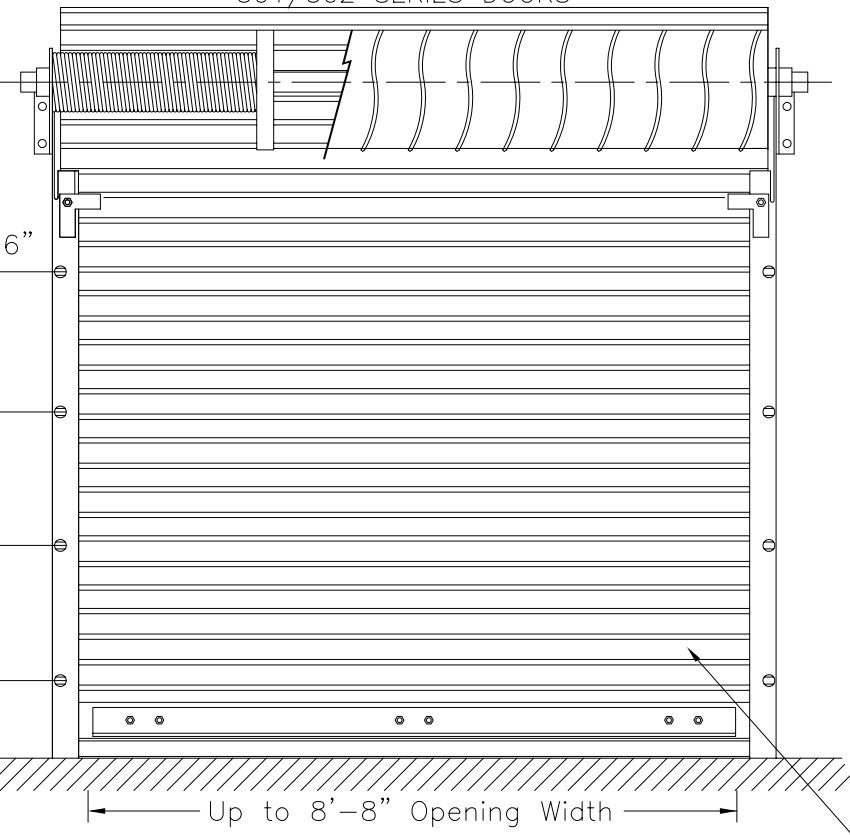


MODEL 501 SERIES SHOWN LEFT SIDE
 MODEL 502 SERIES SHOWN RIGHT SIDE
 AXLE ASSEMBLY IS ONLY DIFFERENCE BETWEEN 501/502 SERIES DOORS

TABLE 1

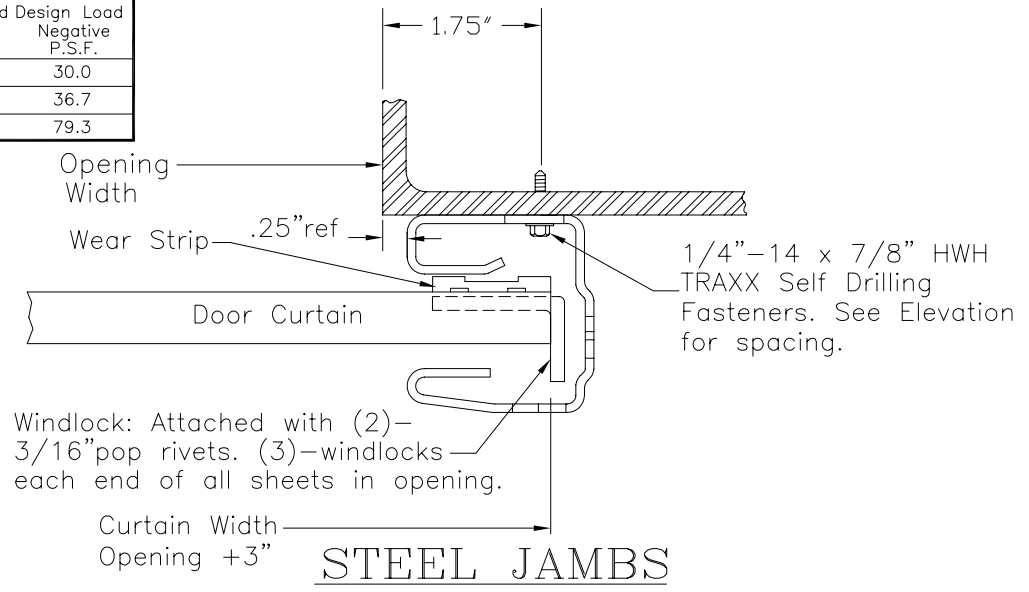
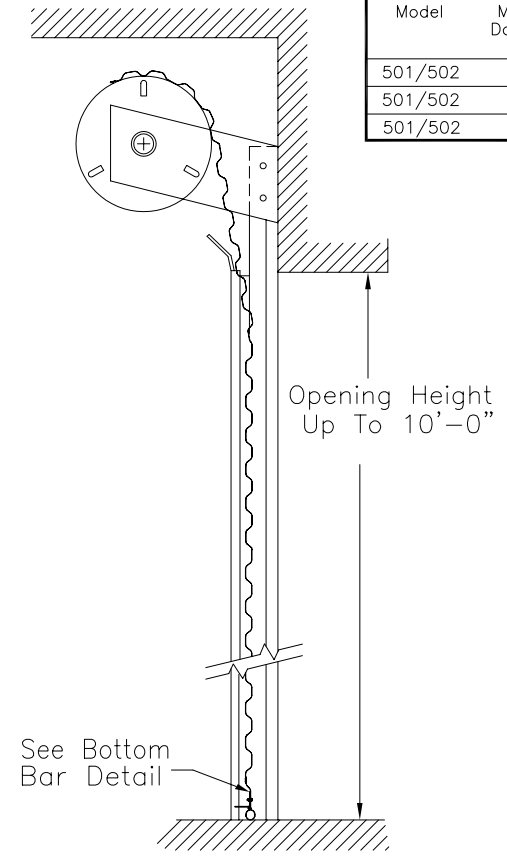
Model	Maximum Door Width	Maximum Door Height	Design Load Positive P.S.F.	Design Load Negative P.S.F.
501/502	8'-8"	10'-0"	28.0	30.0
501/502	8'-0"	10'-0"	34.4	36.7
501/502	6'-0"	10'-0"	75.8	79.3

Varies Not to exceed 16"
 Fastener Spacing 16"
 16"
 4"

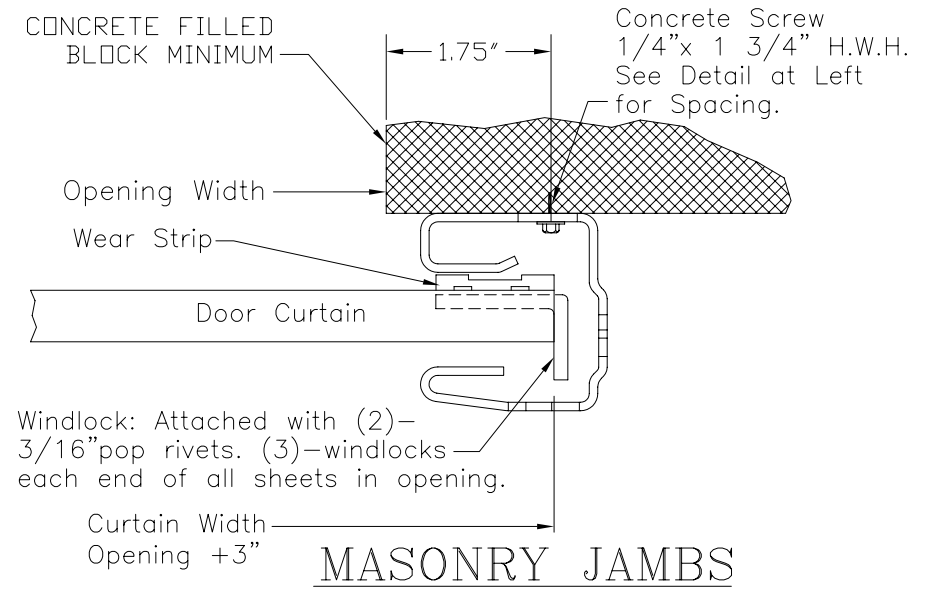


INTERIOR ELEVATION
 Scale: None

Door Curtain: .017±.001 Hot Dip Galvanized Steel
 ASTM A-653 Structural Steel (Grade 80) With Full Coat Of Primer And Baked Polyester Finish Coat.



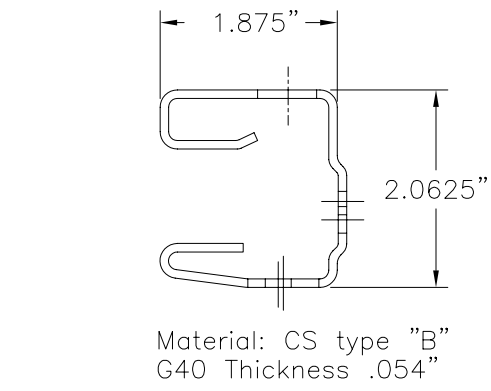
STEEL JAMBS



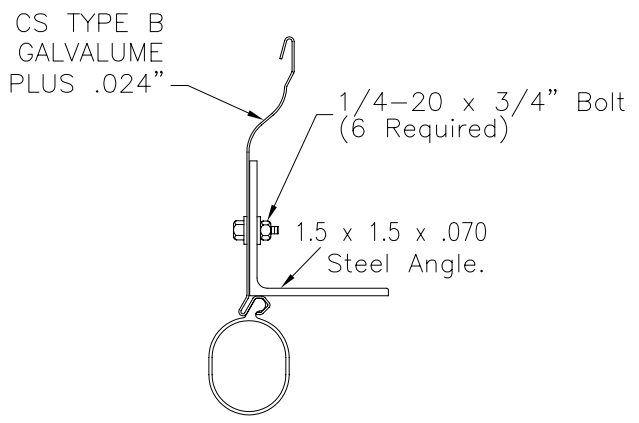
MASONRY JAMBS

Refer to test report
 CTLA 1927W-1

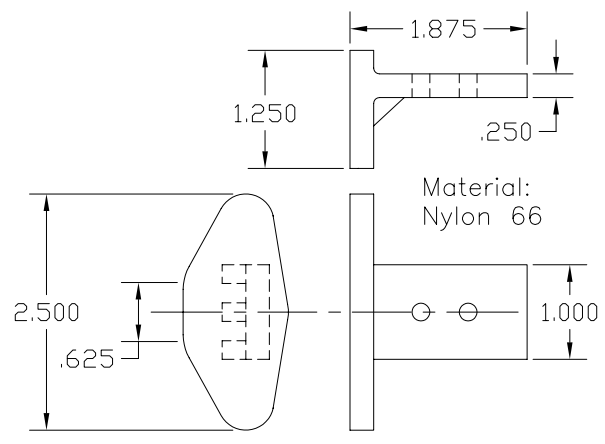
Doors designed for 28 #/ft² POS. and 30 #/ft² NEG. PSF wind load
 Maximum door size 8'-8" wide x 10'-0" high



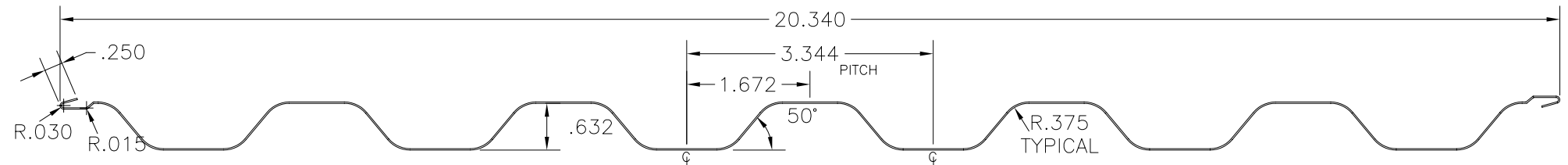
DOOR GUIDE



BOTTOM BAR



WIND LOCK P/N U220011



CORRUGATED SHEET

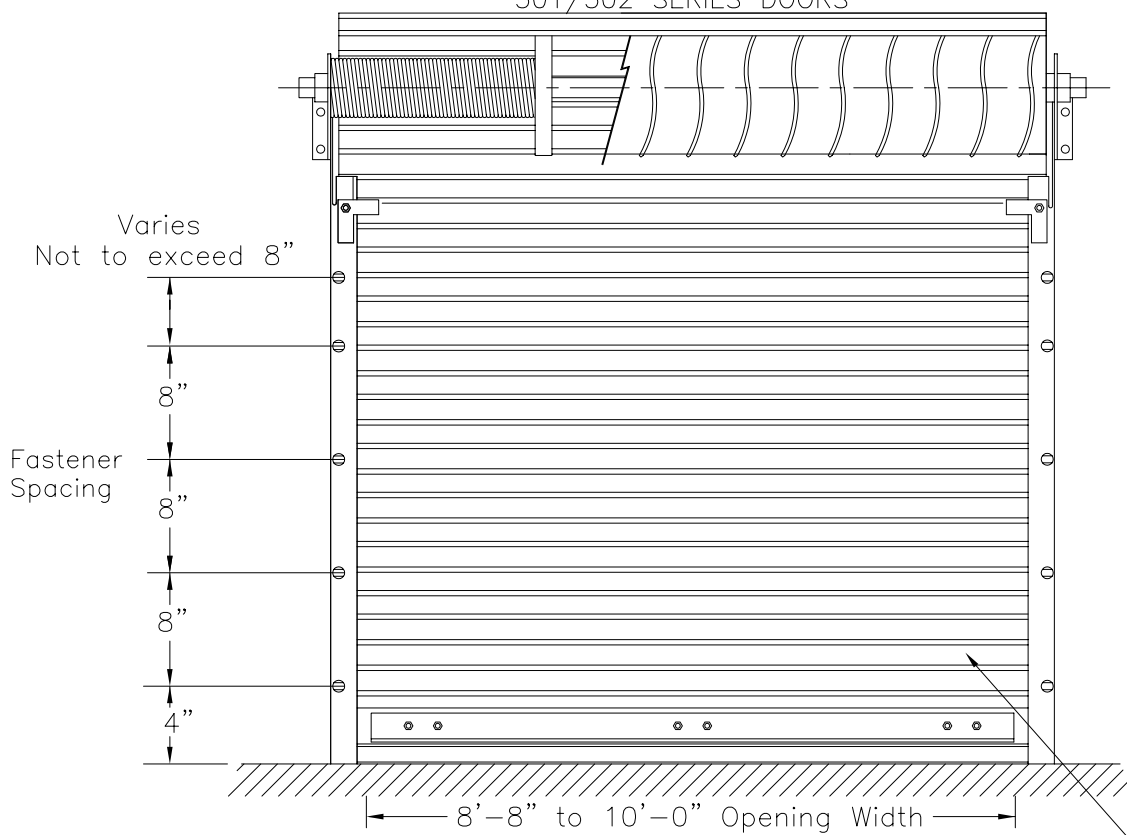
MODEL 501/502-30

	JOB: _____	DATE: 1/06/08 SHEET: 1 of 2
	CONTRACTOR: _____	DRAWN BY: C.D.W.
	ARCHITECT: _____	CHECKED BY: G.O.G.
	ADDRESS: _____	DRAWING NUMBER
	DISTRIBUTOR: _____	501/502-30-104

10407 Rocket Blvd. Orlando Fl. 32824
 407.859.6770 Fax 407.447.2923 usdoor.com

02/27/09

MODEL 501 SERIES SHOWN LEFT SIDE
 MODEL 502 SERIES SHOWN RIGHT SIDE
 AXLE ASSEMBLY IS ONLY DIFFERENCE BETWEEN
 501/502 SERIES DOORS

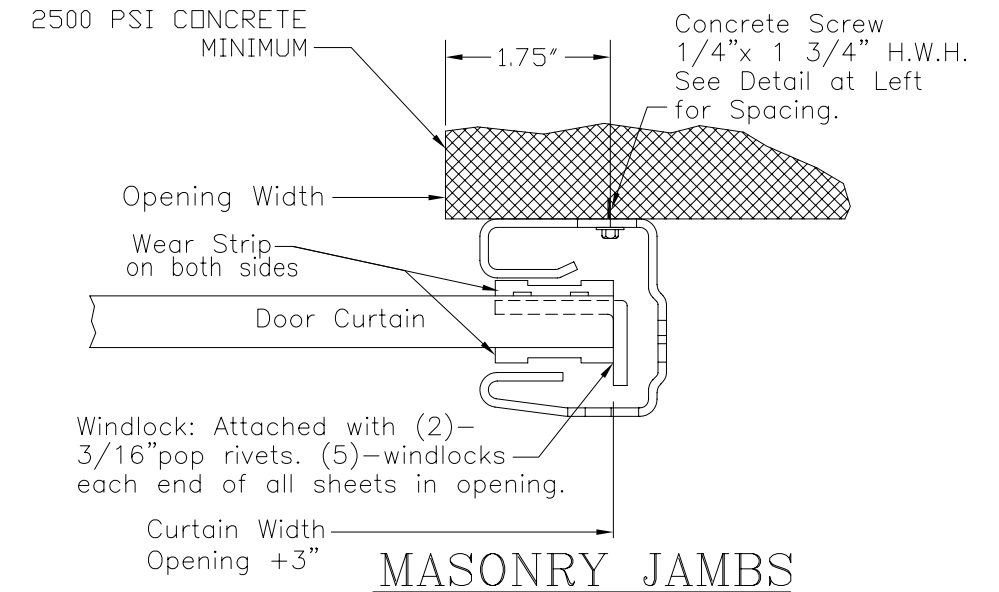
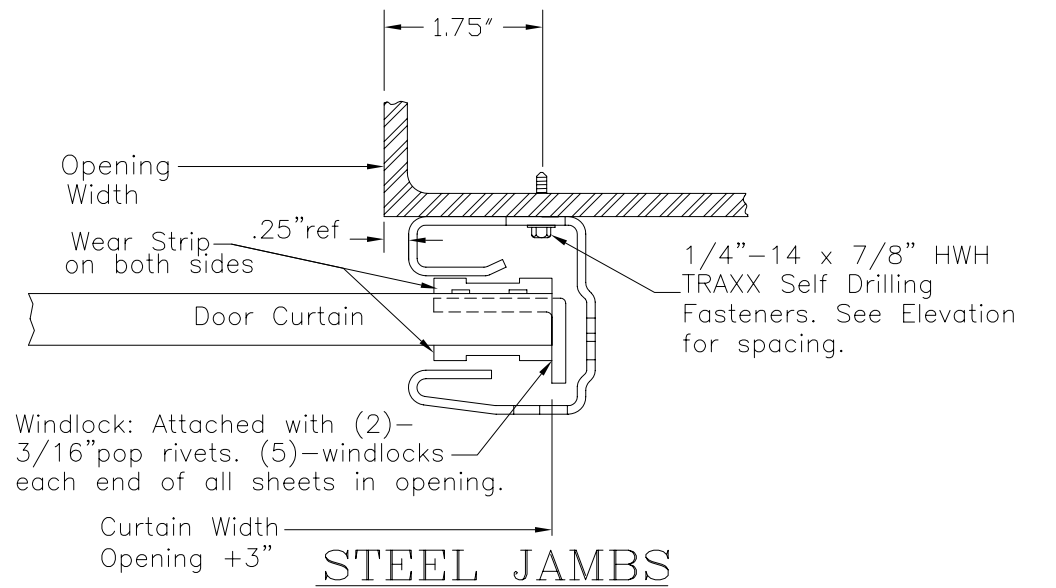
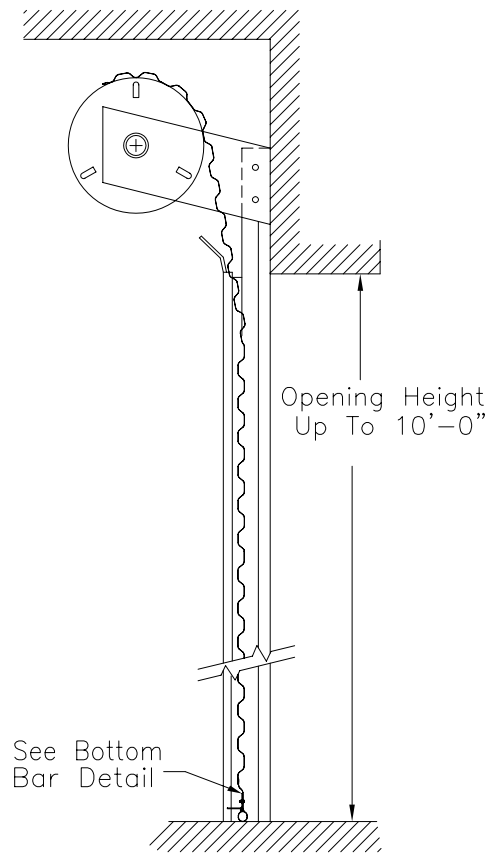


INTERIOR ELEVATION

Scale: None

Guide Fastener Spacing Same for Both Guides.

Door Curtain: .017±.001 Hot Dip Galvanized Steel ASTM A-653 Structural Steel (Grade 80) With Full Coat Of Primer And Baked Polyester Finish Coat.

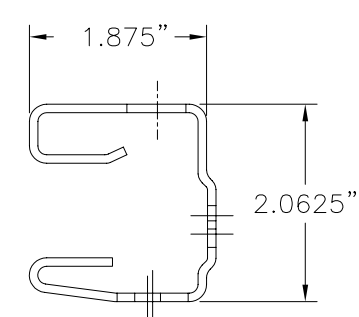


Refer to test report CTLA 1927W

Doors designed for 39.6 #/ft² POS. and 42.2 #/ft² NEG. PSF wind load
 Maximum door size 10'-0" wide x 10'-0" high

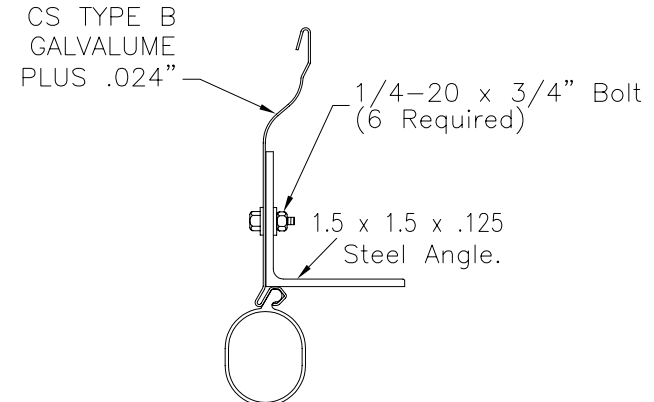
MODEL 501/502-42.2

 10407 Rocket Blvd. Orlando Fl. 32824 407.859.6770 Fax 407.447.2923 usdoor.com	JOB: _____	DATE: 1/06/08 SHEET: 2 of 2
	CONTRACTOR: _____	DRAWN BY: C.D.W.
	ARCHITECT: _____	CHECKED BY: G.O.G.
	ADDRESS: _____	DRAWING NUMBER
DISTRIBUTOR: _____		501/502-42-120
ADDRESS: _____		

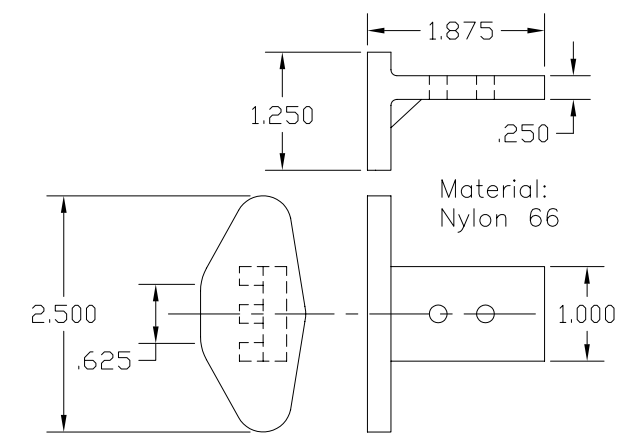


Material: CS type "B" G40 Thickness .070"

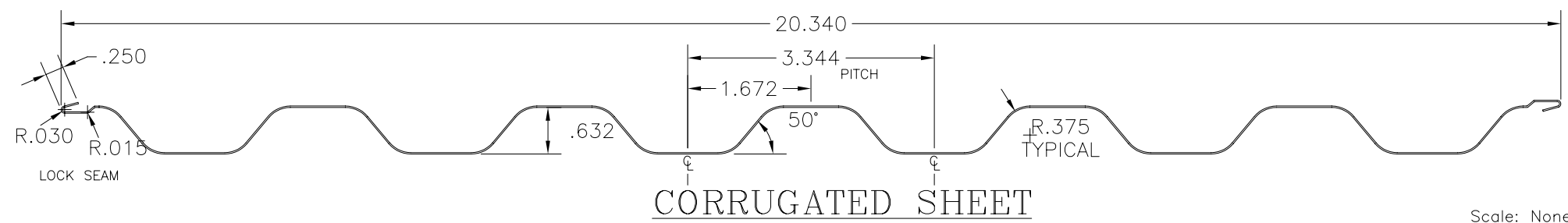
DOOR GUIDE



BOTTOM BAR



WIND LOCK P/N U220011



Scale: None

02/27/09