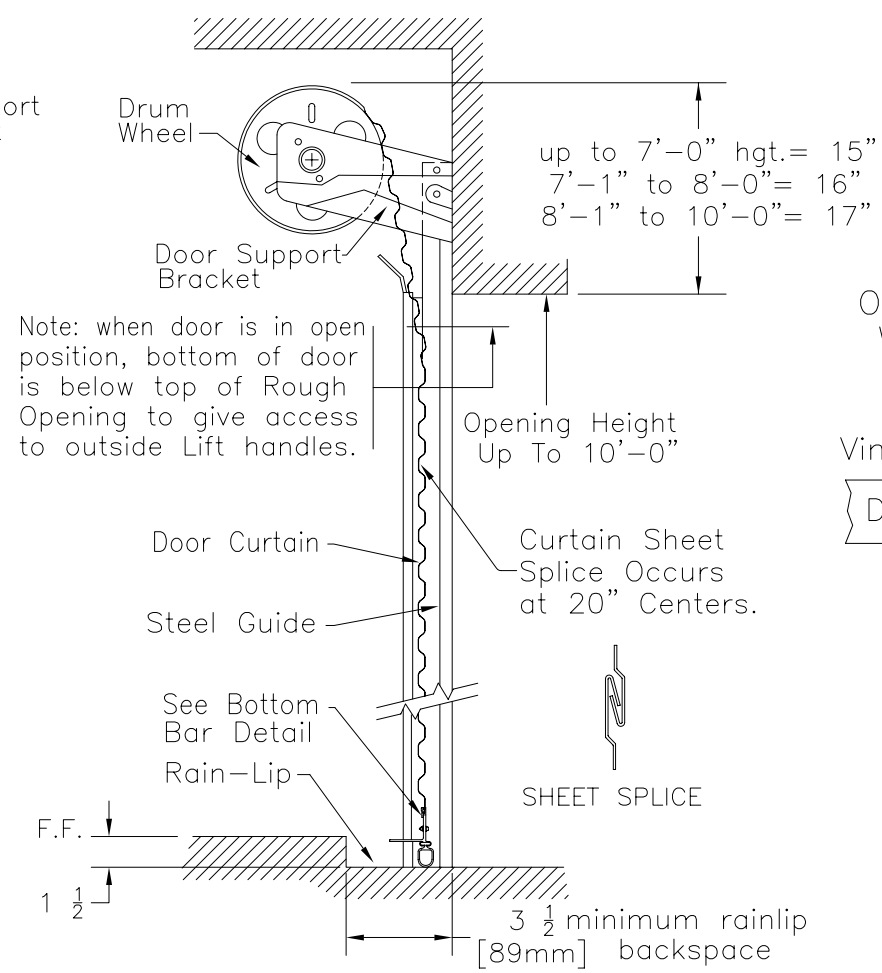


INTERIOR ELEVATION

Scale: None

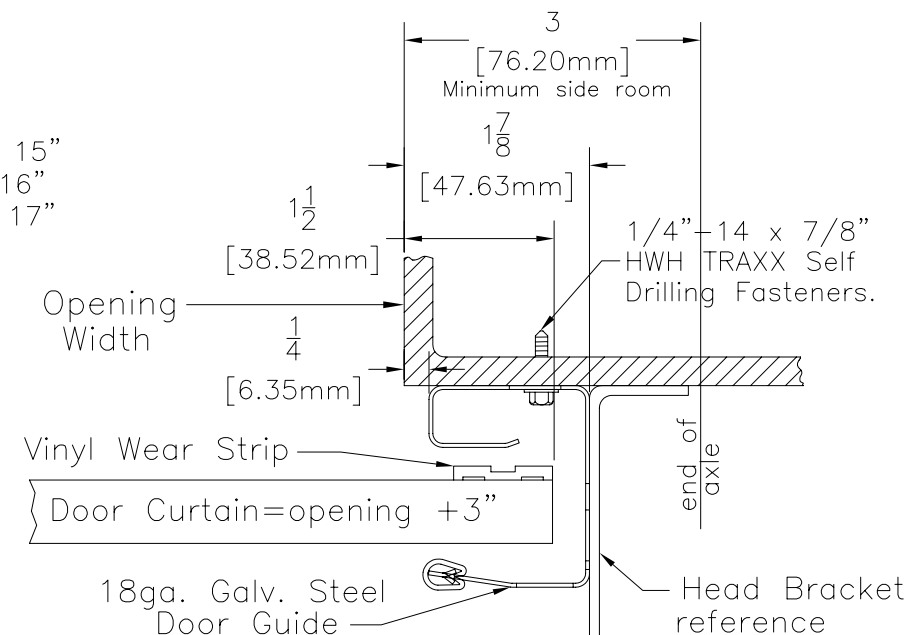
Mounting: maximum spacing of guide anchors "X" = 32".

Door Curtain: .017 Hot Dip Galvanized Steel
 ASTM A-653 Structural Steel
 (Grade 80) With Full Coat Of Primer And
 Baked Polyester Finish Coat.

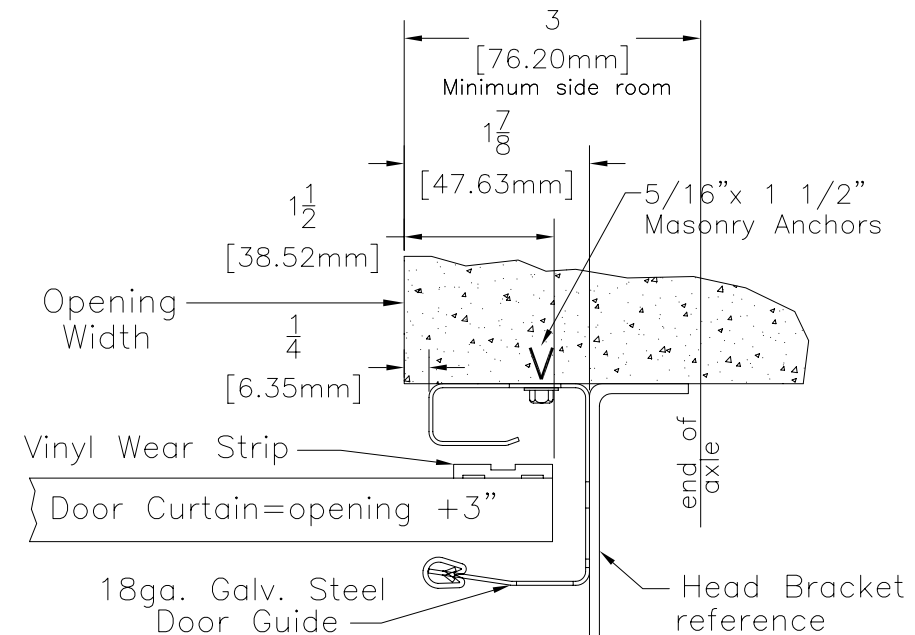


SECTION THRU DOOR

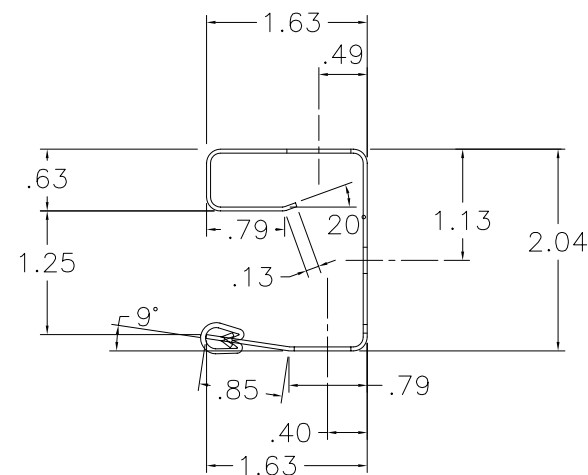
Scale: None



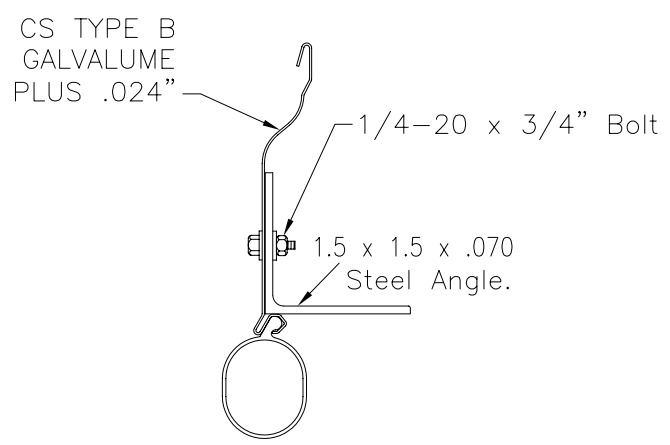
STEEL JAMB DETAIL



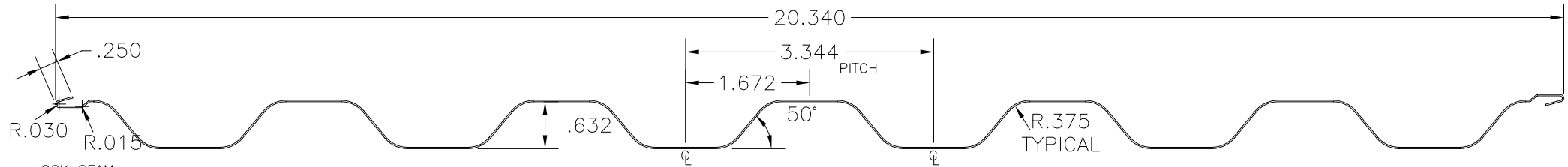
MASONRY JAMB DETAIL



DOOR GUIDE



BOTTOM BAR



CORRUGATED SHEET

"D"					
"C"					
"B"					
"A"				MANUAL	
DOOR	QTY.	WIDTH	HGT.	TYPE OF OPERATION	SPECIAL COMMENTS

Maximum door size 10'-0" wide x 10'-0" high

MODEL 502

	JOB: _____	DATE: 07.01.09 SHEET: 1
	CONTRACTOR: _____	DRAWN BY: C.D.W.
	ARCHITECT: _____	CHECKED BY: _____
	ADDRESS: _____	DRAWING NUMBER
10407 Rocket Blvd. Orlando Fl. 32824	DISTRIBUTOR: _____	502-00-120
407.859.6770 Fax 407.447.2923 usdoor.com	ADDRESS: _____	

Scale: None

JULY 1, 2009