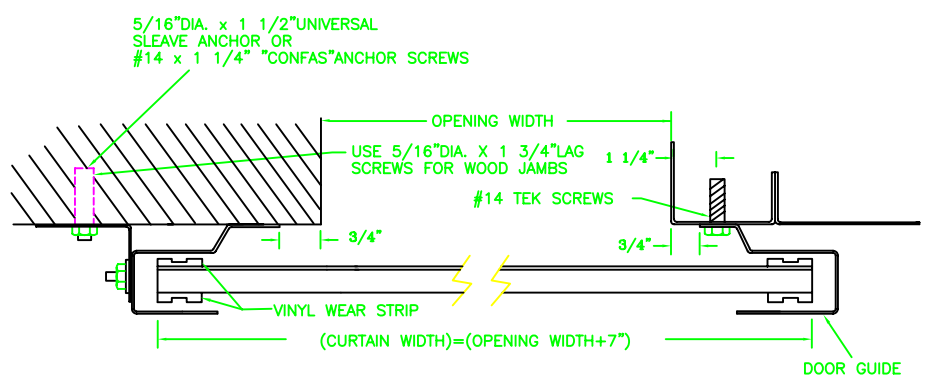


INTERIOR ELEVATION

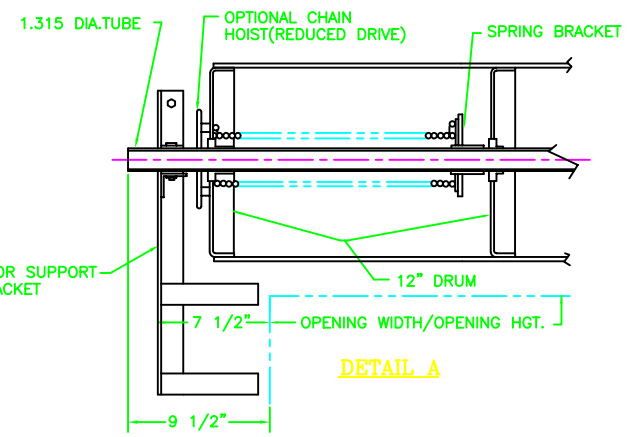
SIDE ELEVATION



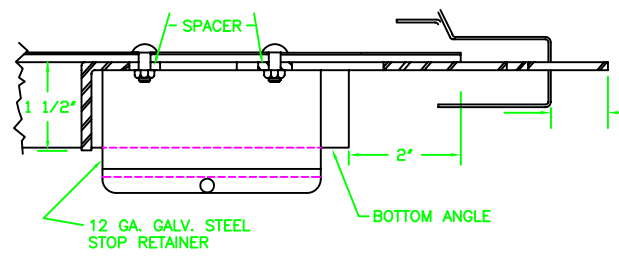
MASONRY & WOOD JAMB

STEEL JAMB

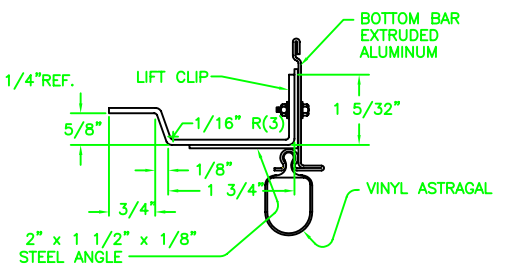
HEADROOM	"A" DIM
UP TO 8'-0"	16"
8'-1" TO 10'-0"	17"
10'-1" TO 12'-0"	18"
12'-1" TO 14'-0"	19"
14'-1" TO 16'-0"	20"



DETAIL A



SLIDE BOLT LOCK ASSY.



BOTTOM BAR

D						
C						
B						
A						
DOOR	QTY.	WIDTH	HEIGHT	TYPE OF OPERATION	SPECIAL COMMENTS	
MODEL 626						
		JOB: _____ CONTRACTOR: _____ ARCHITECT: _____ ADDRESS: _____ DISTRIBUTOR: _____ ADDRESS: _____		DATE: _____ SHEET: 1 DRAWN BY: GDW CHECKED BY: _____ DRAWING NUMBER: 626 shop drawing		