

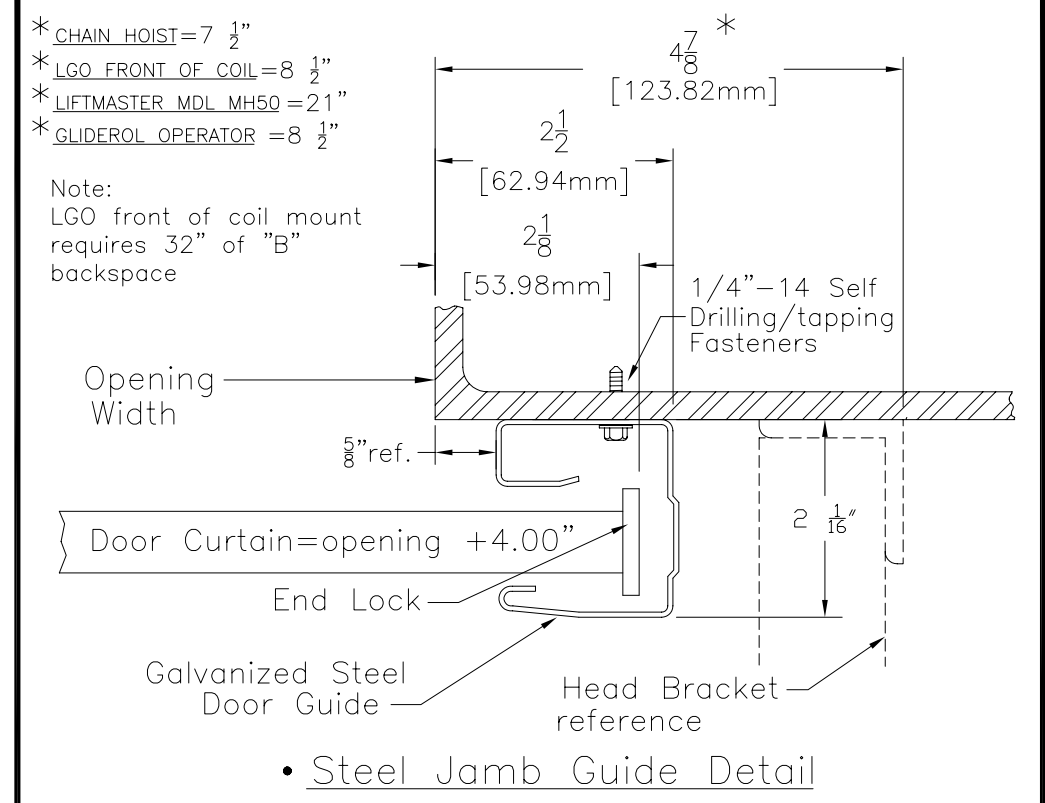
Interior Elevation
Inside Face of Wall Mount
Coil Side

Section A-A

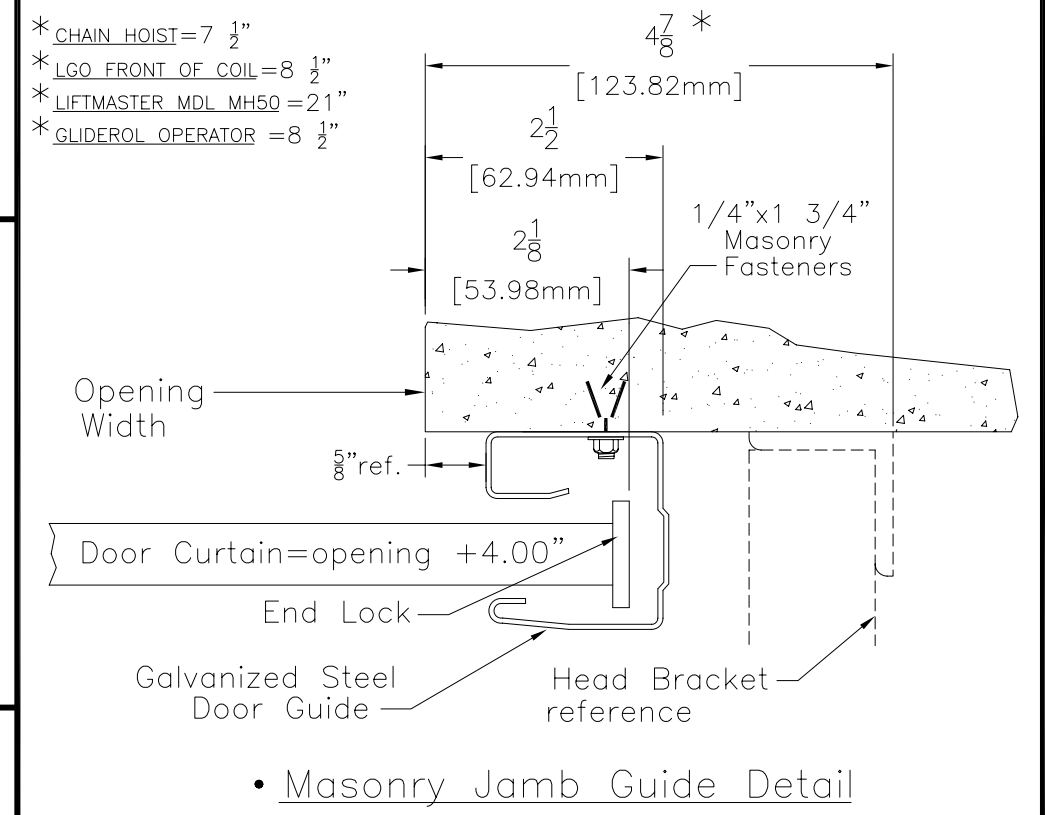
Maximum door size 14'-0" wide x 14'-0" high

- HOOD OPTION
20 GA. STEEL
- GALVANIZED STEEL
- PREFINISHED WHITE PRIMED
- Note: Hood not to be used in conjunction with front mount LGO operator
- SLIDE LOCKS
COIL SIDE @ BOTH JAMBS
- SLIDE LOCKS
OPPOSITE COIL SIDE @ BOTH JAMBS (OPTIONAL)

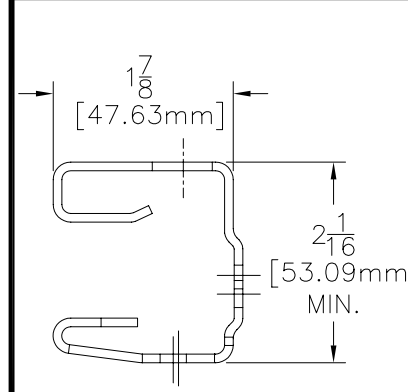
HEADROOM	DIM. A	DIM. B	HOOD DIM. A
UP TO 10'-0"	22"	22"	25"
10'-1" TO 12'-0"	23"	23"	25"
12'-1" TO 14'-0"	24"	24"	25"



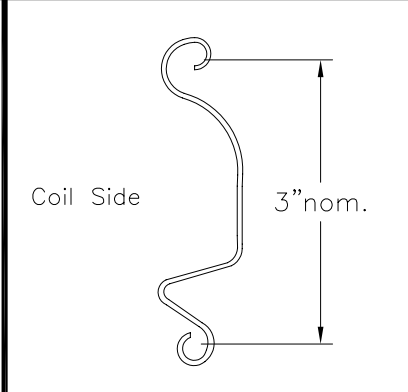
• **Steel Jamb Guide Detail**



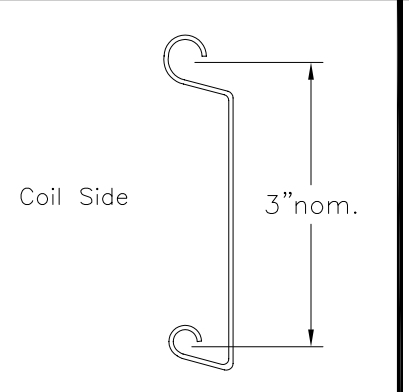
• **Masonry Jamb Guide Detail**



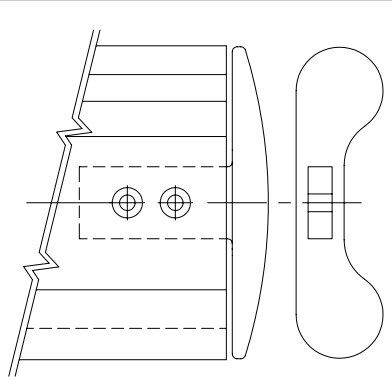
GUIDE DETAIL
16ga. minimum



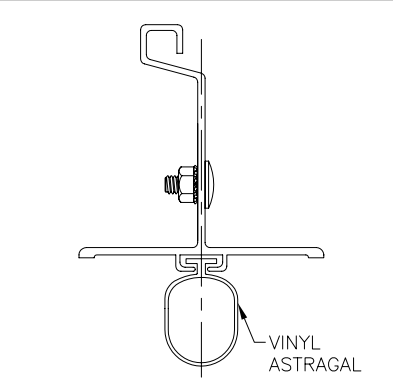
• **700 CURVED SLAT**
24ga. Steel



• **701 FLAT SLAT**
24ga. Steel



• **END LOCKS**



BOTTOM BAR
Detail

ROLL FORMED GALVANIZED STEEL

SLAT FINISHES

- GALVANIZED STEEL
- PREFINISHED WHITE PRIMED
- LIGHTSTONE TAN
- BRONZE DURANODIC COLOR

END LOCK TYPES

- NYLON (STANDARD)
- CAST (OPTIONAL)

EXTRUDED ALUMINUM CONSTRUCTION

DOOR	QTY.	ROUGH OPENING		TYPE OF OPERATION CHAIN or MOTOR (4)	HAND OF OPERATION LH or RH	BUILDING JAMBS SJ or MJ	SLAT TYPE CURVED or FLAT	SLAT FINISH	END LOCK TYPE NYLON or CAST	SLIDE LOCKS CS or OCS	HOOD OPTION GALV. FINISH	HOOD WHITE FINISH	HOOD BAFFLE	GUIDE WEATHER-STRIPPING	ADDITIONAL REMARKS
		WIDTH	x HEIGHT												
A		x									<input type="checkbox"/>	<input type="checkbox"/>	<input type="checkbox"/>	<input type="checkbox"/>	
B		x									<input type="checkbox"/>	<input type="checkbox"/>	<input type="checkbox"/>	<input type="checkbox"/>	
C		x									<input type="checkbox"/>	<input type="checkbox"/>	<input type="checkbox"/>	<input type="checkbox"/>	
D		x									<input type="checkbox"/>	<input type="checkbox"/>	<input type="checkbox"/>	<input type="checkbox"/>	
E		x									<input type="checkbox"/>	<input type="checkbox"/>	<input type="checkbox"/>	<input type="checkbox"/>	

MODEL 700 & 701

U.S. Door & Building Components
10407 Rocket Blvd. Orlando Fl. 32824
407.859.6770 Fax 407.447.2923 usdoor.com

JOB: _____
CONTRACTOR: _____
ARCHITECT: _____
ADDRESS: _____
DISTRIBUTOR: _____
ADDRESS: _____
ENGINEER: J.H. DIXON JR P.E. LIC No. FL7768

DATE: 04.21.08 SHEET: 1
DRAWN BY: C.D.W.
CHECKED BY: _____
DRAWING NUMBER: 700-00-168

Last revision 04.21.08