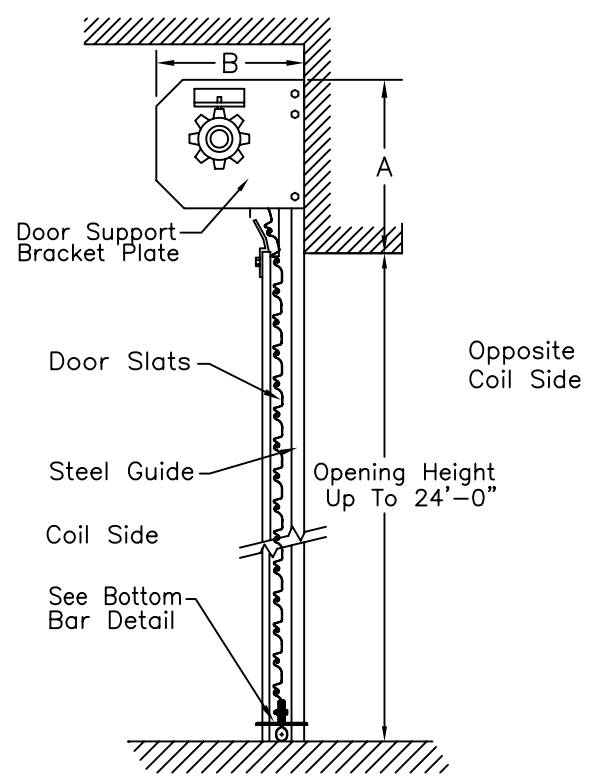


Interior Elevation
Inside Face of Wall Mount
Coil Side

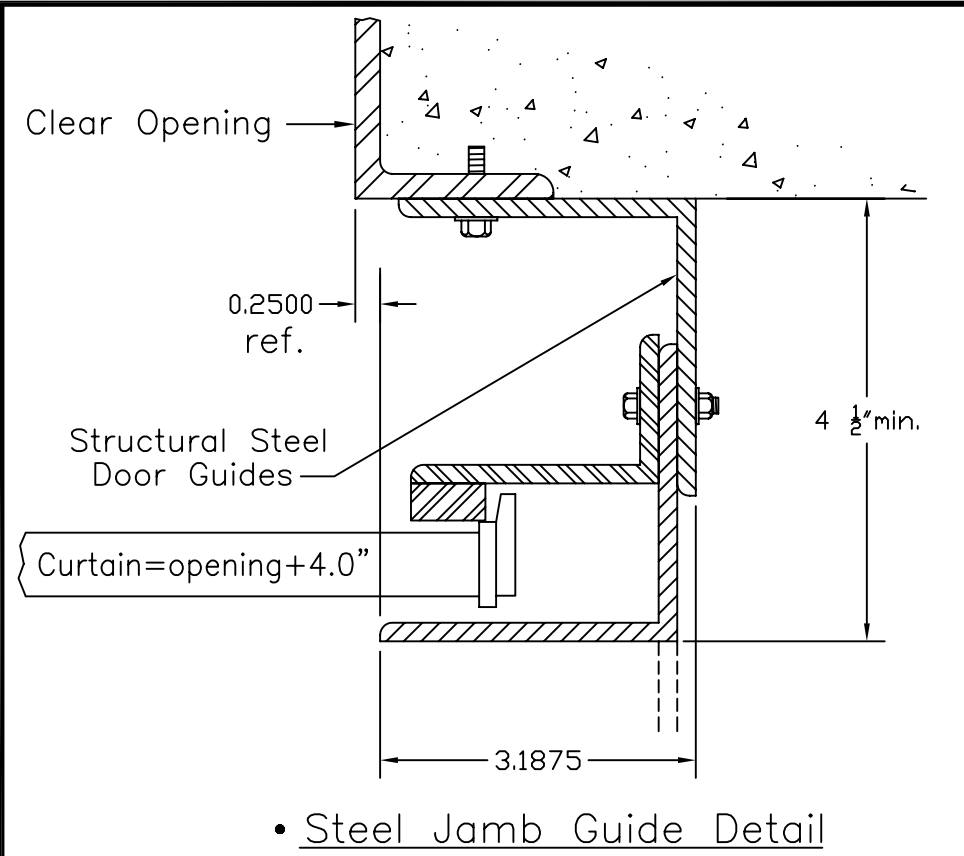
Maximum door size 24'-0" wide x 24'-0" high,
consult factory for larger sizes.
See Drawing 900-60-192 for Wind Load Model.

- CHAIN HOIST STANDARD
- MOTOR OPTIONS
- LIFTMASTER MDL LGO
- LGO FRONT OF COIL MOUNTING BRACKET
- LIFTMASTER MDL MH50 WALL MOUNT
- GLIDEROL IN-TUBE OPERATOR

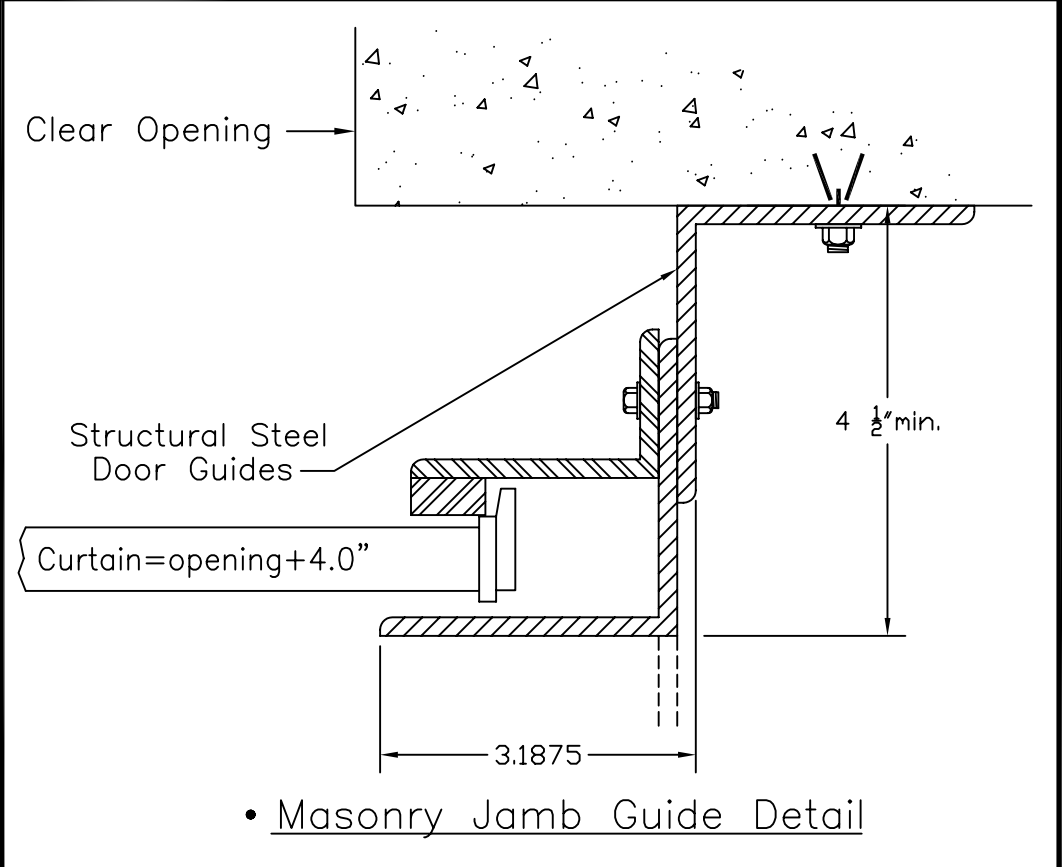
- HOOD STANDARD MDL 900/901 20 GA. STEEL
- Baffle (opt.)
- GALVANIZED STEEL
- PREFINISHED WHITE PRIMED
- SLIDE LOCKS COIL SIDE @ BOTH JAMBS
- SLIDE LOCKS OPPOSITE COIL SIDE @ BOTH JAMBS (OPTIONAL)



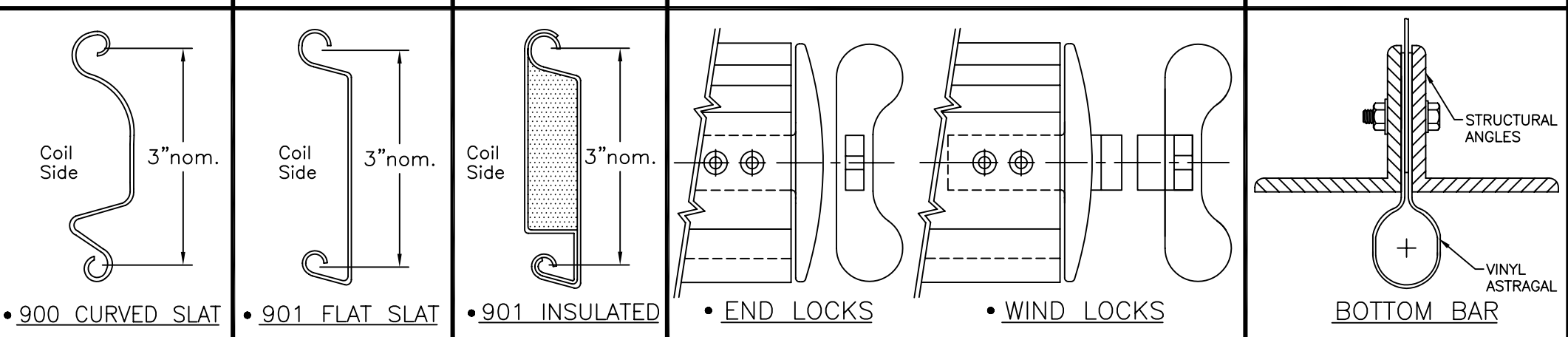
HEADROOM	DIM. A	DIM. B	HOOD DIM. A
UP TO 10'-0"	22"	22"	25"
10'-1" TO 12'-0"	23"	23"	25"
12'-1" TO 14'-0"	24"	24"	25"
14'-1" TO 16'-0"	Consult Factory		
16'-1" TO 18'-0"	Consult Factory		
18'-1" TO 20'-0"	Consult Factory		



• Steel Jamb Guide Detail



• Masonry Jamb Guide Detail



SLAT FINISH • GALVANIZED STL • PREFINISHED WHITE PRIMED • LIGHTSTONE TAN • BRONZE DURANODIC COLOR
 WIND LOCK MATERIAL • CAST MALLEABLE IRON RIVET P/N: U210015
 STRUCTURAL STEEL CONSTRUCTION

DOOR MARK	QTY.	ROUGH OPENING		TYPE OF OPERATION CHAIN or MOTOR (4)	HAND OF OPERATION LH or RH	BUILDING JAMBS SJ or MJ	SLAT TYPE CURVED, FLAT or INSULATED	SLAT FINISH	GA.	END LOCK TYPE NYLON or CAST	SLIDE LOCKS CS or OCS	STANDARD HOOD GALV. WHITE FINISH	HOOD BAFFLE	GUIDE WEATHER-STRIPPING	ADDITIONAL REMARKS	
		WIDTH	x HEIGHT													
A		x										<input type="checkbox"/>	<input type="checkbox"/>	<input type="checkbox"/>	<input type="checkbox"/>	
B		x										<input type="checkbox"/>	<input type="checkbox"/>	<input type="checkbox"/>	<input type="checkbox"/>	
C		x										<input type="checkbox"/>	<input type="checkbox"/>	<input type="checkbox"/>	<input type="checkbox"/>	
D		x										<input type="checkbox"/>	<input type="checkbox"/>	<input type="checkbox"/>	<input type="checkbox"/>	
E		x										<input type="checkbox"/>	<input type="checkbox"/>	<input type="checkbox"/>	<input type="checkbox"/>	

MODEL 900 & 901

U.S. Door & Building Components
10407 Rocket Blvd. Orlando Fl. 32824
407.859.6770 Fax 407.447.2923 usdoor.com

JOB: _____
 CONTRACTOR: _____
 ARCHITECT: _____
 ADDRESS: _____
 DISTRIBUTOR: _____
 ADDRESS: _____

DATE: 07.31.08 SHEET: 1
 DRAWN BY: C.D.W.
 CHECKED BY: G.O.G.
 DRAWING NUMBER
 900-00-192

Last revision 07.31.08