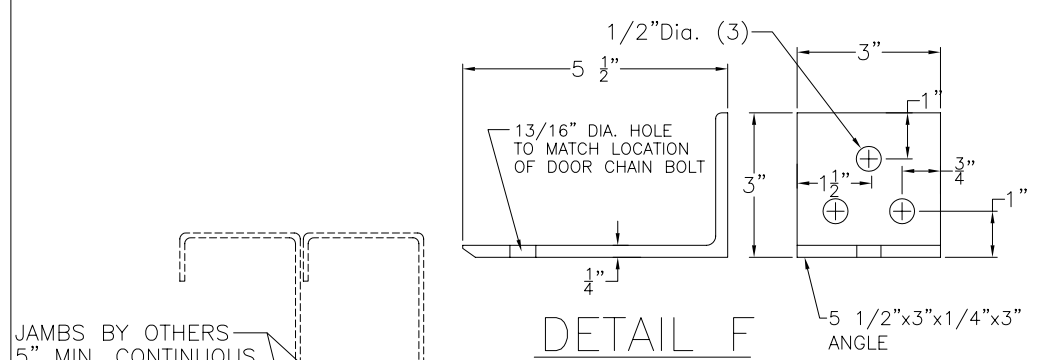
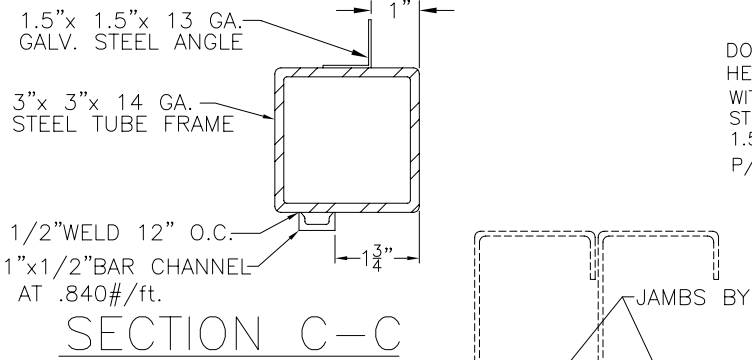


FRAME ASSEMBLY (regular wall angle)

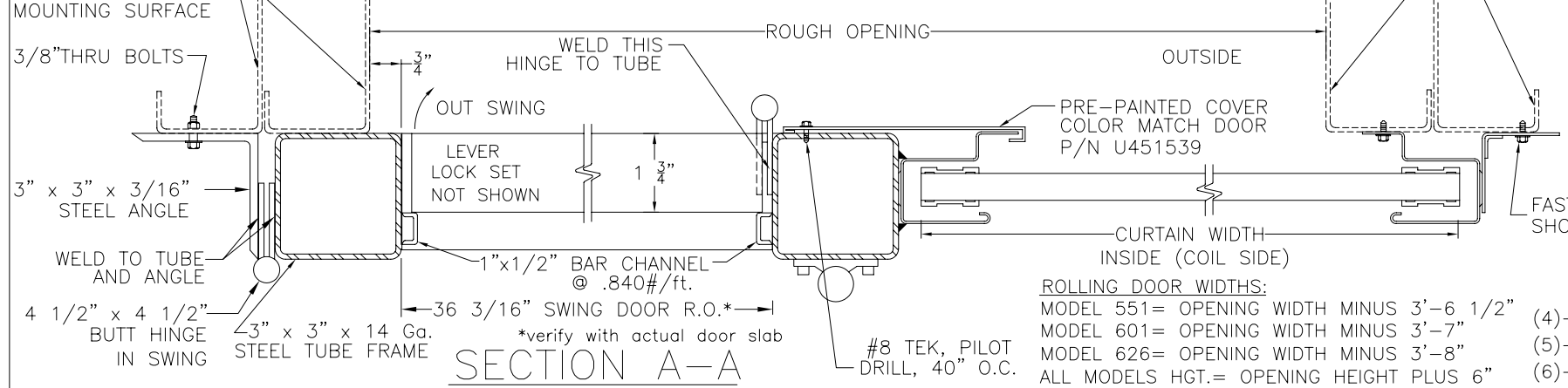
COIL SIDE ELEVATION



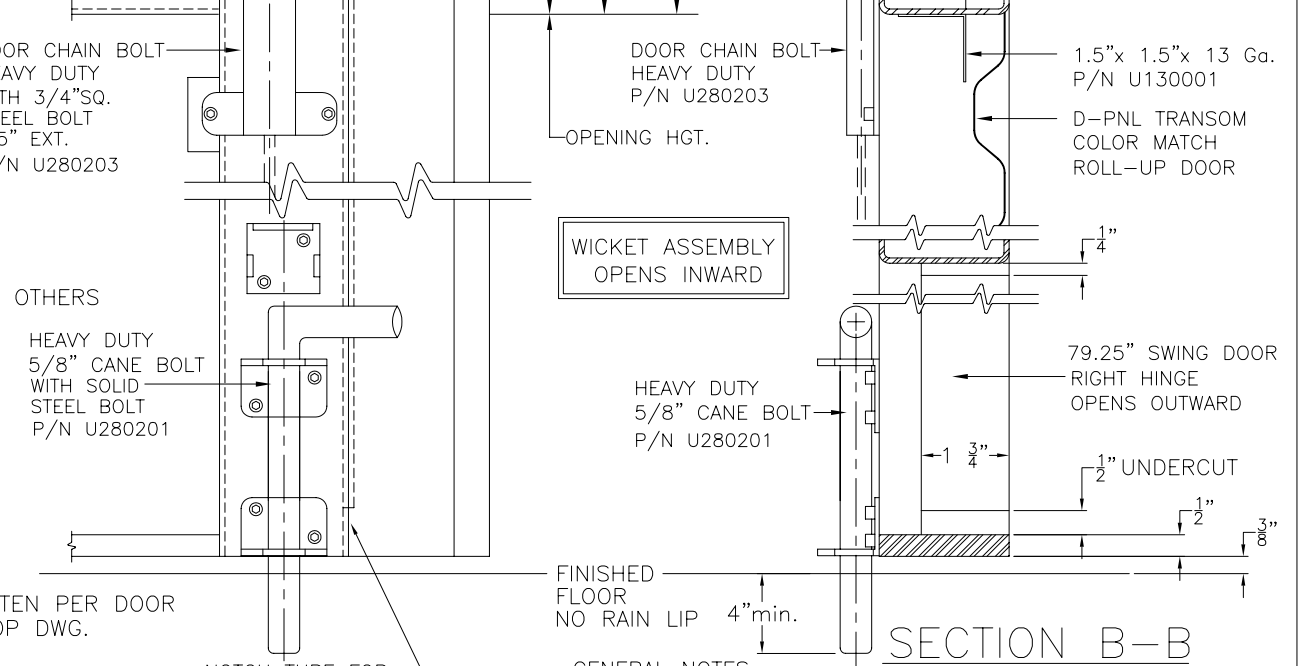
DETAIL F



SECTION C-C



SECTION A-A



SECTION B-B

ROLLING DOOR WIDTHS:
 MODEL 551= OPENING WIDTH MINUS 3'-6 1/2"
 MODEL 601= OPENING WIDTH MINUS 3'-7"
 MODEL 626= OPENING WIDTH MINUS 3'-8"
 ALL MODELS HGT.= OPENING HEIGHT PLUS 6"

- (4)- HINGES REQUIRED UP TO 11'-0"
- (5)- HINGES REQUIRED UP TO 11'-1" TO 14'-0"
- (6)- HINGES REQUIRED UP TO 14'-1" TO 16'-0"

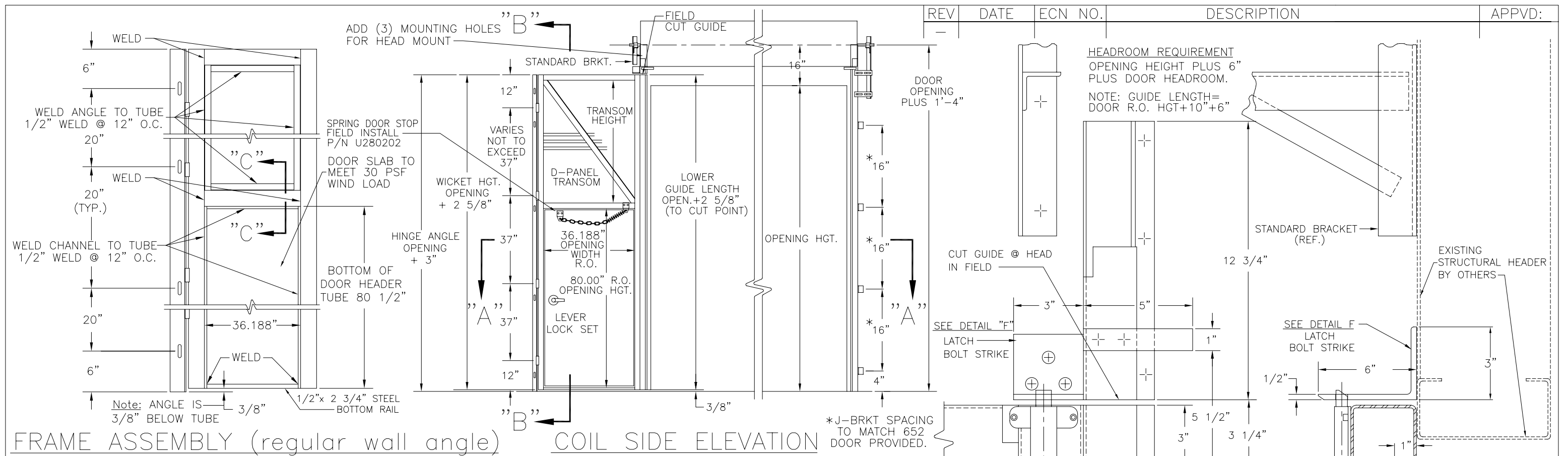
GENERAL NOTES:
 1.) ROLLING DOOR HEIGHT TO BE OPENING HEIGHT + 6".
 2.) THIS WICKET IS ASSEMBLY "SWINGS INWARD"
 3.) THE 3x6'8 SWING SLAB IS A RIGHT HINGE "OPEN OUT" TYPE.
 4.) FIELD INSTALL CHAIN & SPRING DOOR STOP TO DOOR.
 5.) OPTIONAL ADA THRESHOLD P/N U650401 AVAILABLE.

TOLERANCES .00 = ±.03
 Unless Stated Otherwise .000 = ±.015
 Fractions = ±1/64
 DIMENSIONS ARE IN INCHES. Degrees = ±1/2"

The arrangements depicted herein are the sole property of US DOOR & BUILDING COMPONENTS and may not be reproduced in any form without it's written permission.

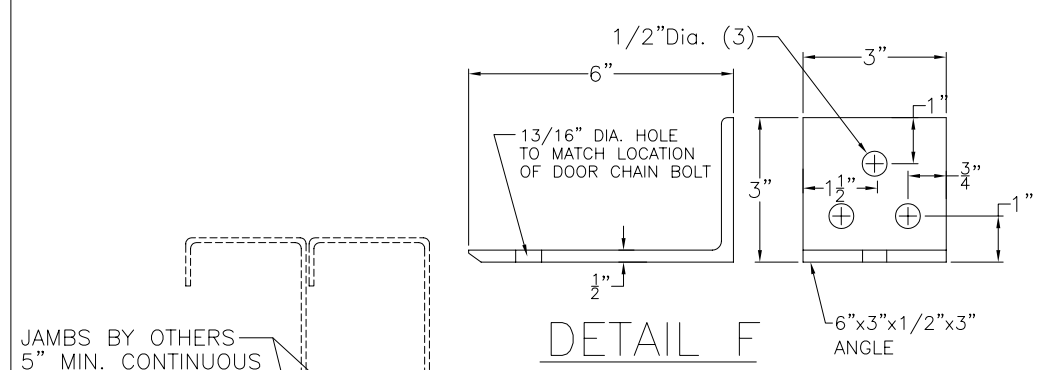
SCALE: NONE
 DATE: 01.15.08
 DRAWN BY: CDW
 CHECKED BY: GOG

PART NUMBER: U390330	MANUFACTURED / PURCHASED MANUFACTURED
DESCRIPTION: 3'-0x 6'-8 WICKET DOOR for COMM. ROLL-UP	
DRAWING NUMBER / FILE: B U390330 Sheet 1	REVISION: 1

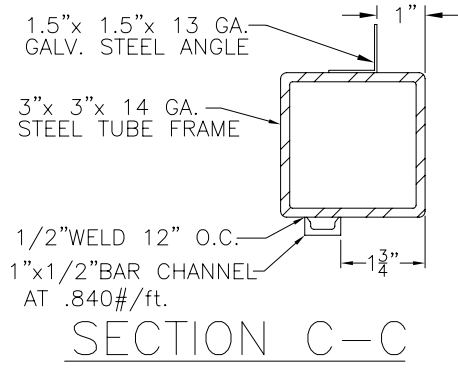


FRAME ASSEMBLY (regular wall angle)

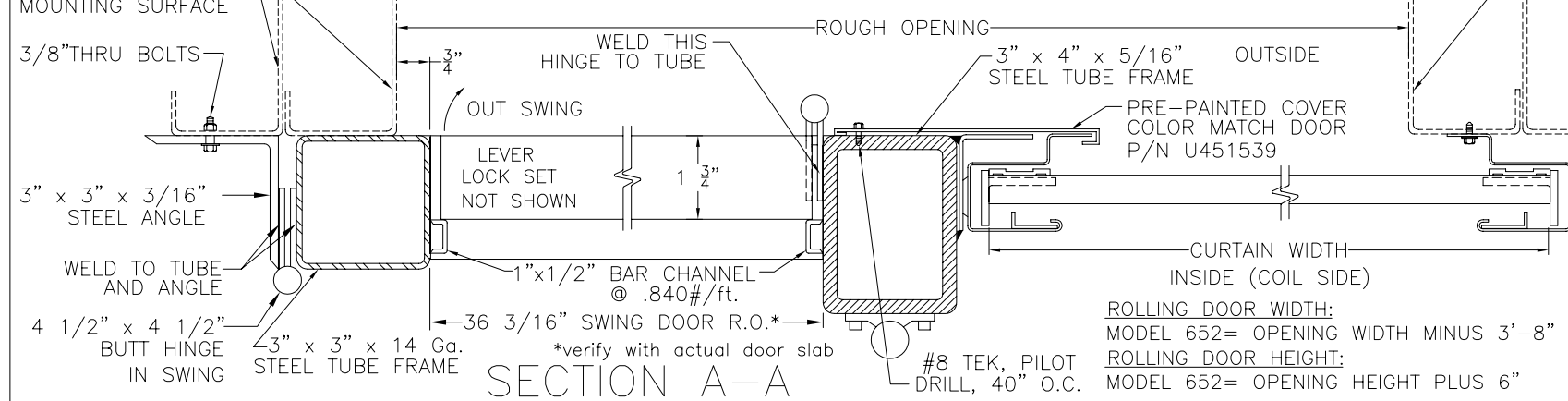
COIL SIDE ELEVATION



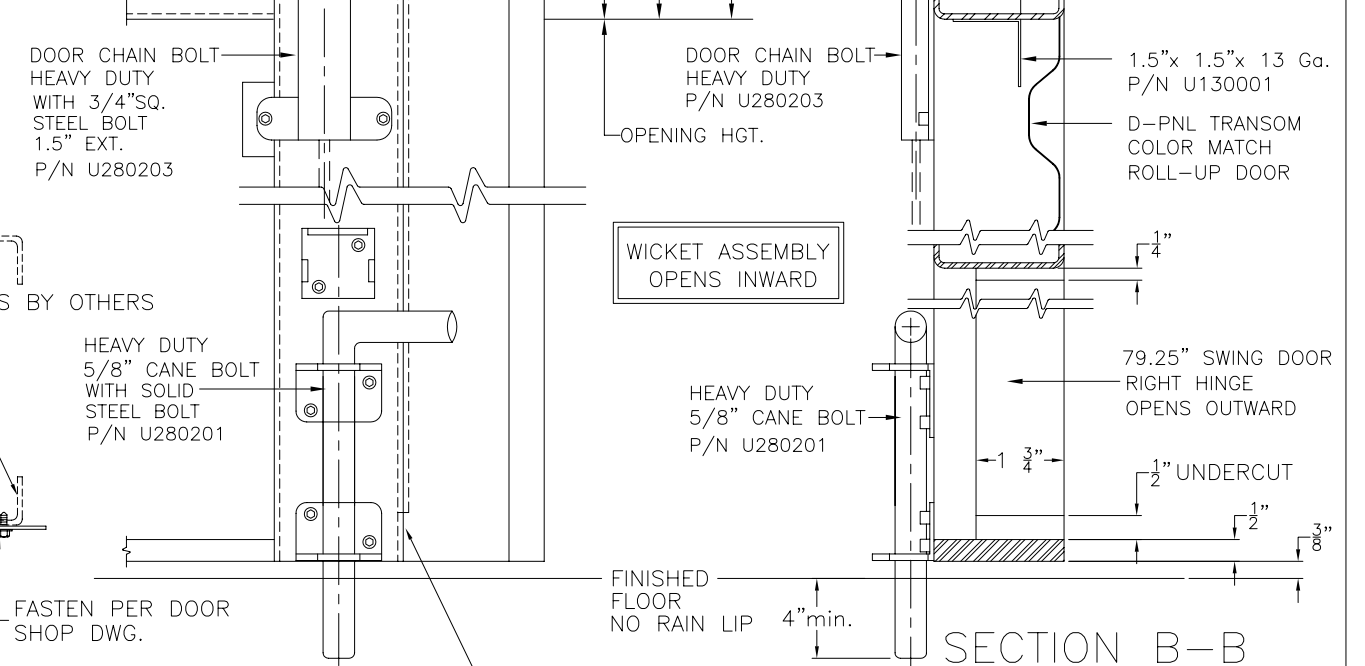
DETAIL F



SECTION C-C



SECTION A-A



SECTION B-B

- GENERAL NOTES:
- 1.) ROLLING DOOR HEIGHT TO BE OPENING HEIGHT + 6"
 - 2.) THIS WICKET IS ASSEMBLY "SWINGS INWARD"
 - 3.) THE 3x6'8 SWING SLAB IS A RIGHT HINGE "OPEN OUT" TYPE.
 - 4.) FIELD INSTALL CHAIN & SPRING DOOR STOP TO DOOR.
 - 5.) OPTIONAL ADA THRESHOLD P/N U650401 AVAILABLE.

TOLERANCES	.00 = ±.03
Unless Stated Otherwise	.000 = ±.015
	Fractions = ±1/64
DIMENSIONS ARE IN INCHES.	Degrees = ±1/2°

SCALE:	NONE
DATE:	01.15.08
DRAWN BY:	CDW
CHECKED BY:	GOG

PART NUMBER:	U390330-WL	MANUFACTURED / PURCHASED	MANUFACTURED
DESCRIPTION:	3'-0x 6'-8 WL WICKET DOOR for MDL 652 ROLL-UP		
DRAWING NUMBER / FILE:	B	U390330 Sheet 1	REVISION:
			1

The arrangements depicted herein are the sole property of US DOOR & BUILDING COMPONENTS and may not be reproduced in any form without it's written permission.

REV	DATE	ECN NO.	DESCRIPTION	APPVD:
-				

WICKET DOOR HEADROOM=
RUD DOOR HEADROOM + 6"

HR

DOOR HEIGHT

NOMINAL DOOR HGT.
SAME AS ROUGH OPENING

JAMBS SHOWN ARE SUGGESTED.
ARCHITECT OR ENGINEER OF RECORD
TO DESIGN BUILDING/JAMBS
FOR LOADS AND CODE REQUIREMENTS.

NO RAIN-LIP OR SLAB DEPRESSION

5 1/2"
MIN.

CLEARANCE SWING SIDE JAMB

INTERIOR ELEVATION

NOTE: JAMBS, HEADER AND MOUNTING PLATES
ARE BY OTHERS.

BUILDING EAVE STRUT OR
HORIZONTAL GIRT

2 x 4 x 16ga STUDS TO BACK-UP MTG. PLATE
RECOMMENDED; IF PLATE IS LESS THAN 7GA.
OR HEADER GIRT SPAN IS OVER 24".

SUGGESTED INBOARD MOUNTING PLATE
7 x 7ga. FLAT MOUNTING PLATE

STRUCTURAL HEADER CEES
BY BUILDING MANUFACTURER
SIZE DICTATED BY OPENING WIDTH

36 3/4" 8"
MOUNTING PLATE DISTANCE
FROM SWING SIDE JAMB.

NOMINAL WICKET DOOR ASSEMBLY WIDTH
SAME AS ROUGH OPENING

DOOR ASSEMBLY WIDTH

ROLL-UP JAMB
SEE RUD SHOP
DRAWING FOR JAMB
REQUIREMENTS.
(NON-SWING SIDE)

FINISHED FLOOR

TOLERANCES	.00 = ±.03
Unless Stated Otherwise	.000 = ±.015
DIMENSIONS ARE IN INCHES.	Fractions = ±1/64
	Degrees = ±1/2°

The arrangements depicted herein are the sole property of US DOOR & BUILDING COMPONENTS and may not be reproduced in any form without its written permission.

SCALE:	NONE
DATE:	01.15.08
DRAWN BY:	CDW
CHECKED BY:	-

PART NUMBER:	N.A.	MANUFACTURED / PURCHASED	MANUFACTURED
DESCRIPTION: TYPICAL WICKET CLEARANCES @ JAMBS			
B	DRAWING NUMBER / FILE: U390330 Sheet 2	REVISION:	-