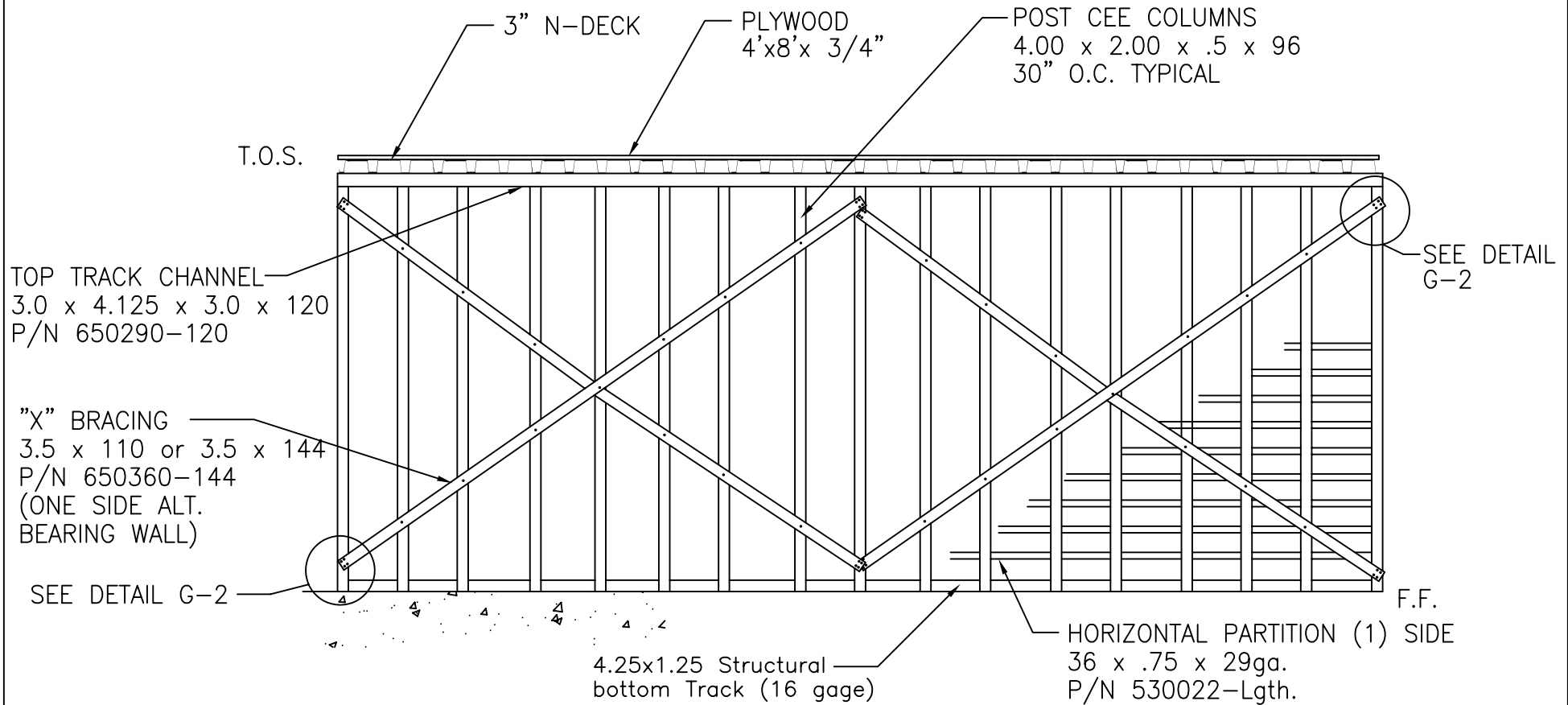


REV	DATE	ECN NO.	DESCRIPTION	APPVD:
-				



Note: "X" Bracing is required on Alternate Bearing Walls (20' O.C. see plan)

## BEARING WALL SECTION

REQUIRED 10' O.C. TYP.

1  
S1

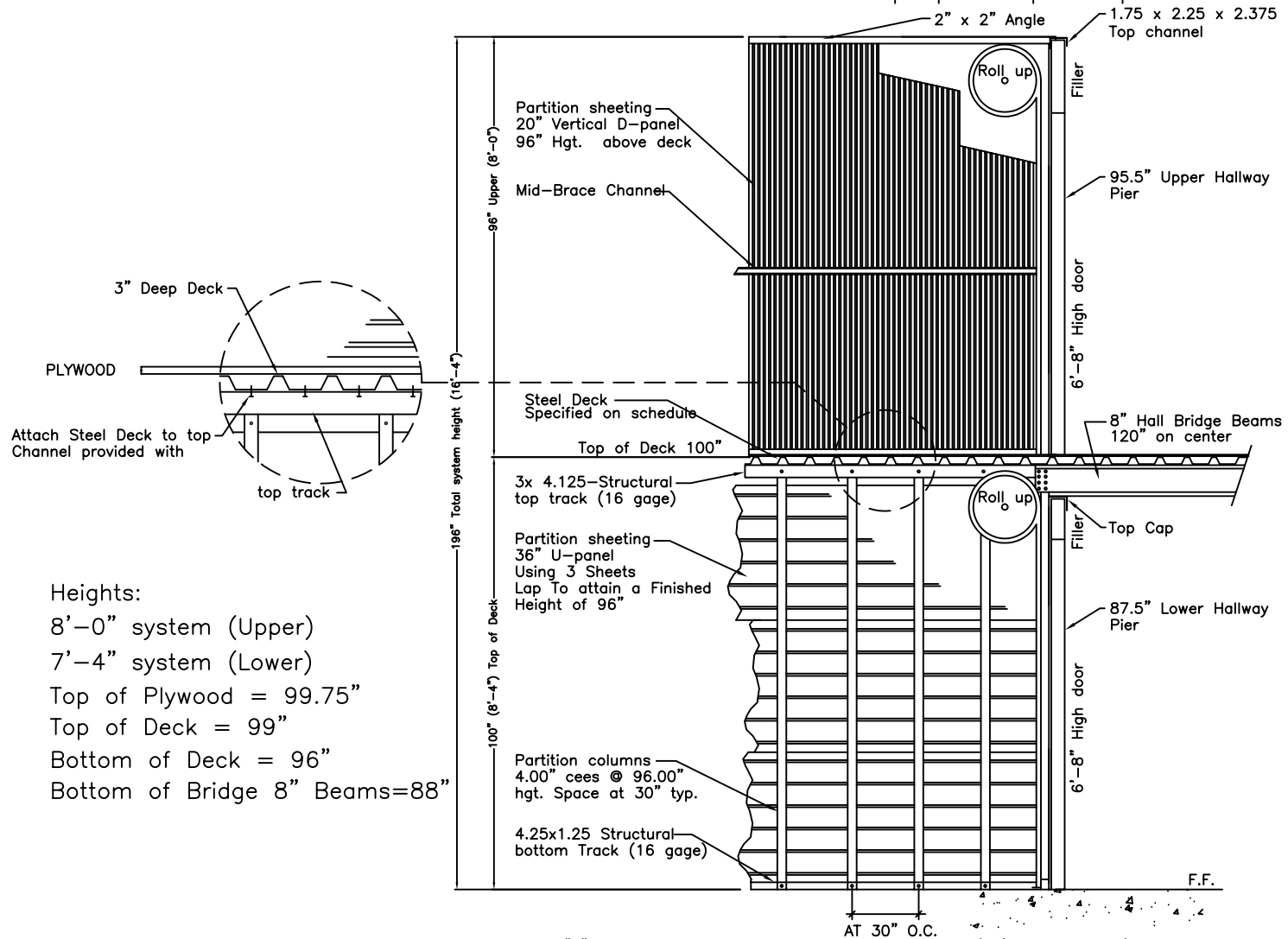
**US DOOR** **roll·lite**  
**STORAGE SYSTEMS**  
 & BUILDING COMPONENTS 10407 Rocket Blvd. Orlando, FL 32824  
 407-859-6770 Website www.usdoor.com

DIMENSIONAL TOLERANCES IN INCHES	
① = ±.032	③ = ±.094
② = ±.063	④ = ±.125
ALL DIMENSIONS SHOWN ARE IN INCHES	
The arrangements depicted herein are the sole property of US DOOR & BUILDING COMPONENTS and may not be reproduced in any form without it's written permission.	

SCALE:	NONE
DATE:	03-03-05
DRAWN BY:	CDW
CHECKED BY:	-

PART NUMBER:	N.A.	MANUFACTURED / PURCHASED	MANUFACTURED
DESCRIPTION:			
MEZZ DECK W/ PLYWOOD TOP			
A	DRAWING NUMBER / FILE	NUMBER OF SHEETS	
	Mezz sections A	1 OF 5	

REV	DATE	ECN NO.	DESCRIPTION	APPVD:
-	-	-	-	-



Heights:  
 8'-0" system (Upper)  
 7'-4" system (Lower)  
 Top of Plywood = 99.75"  
 Top of Deck = 99"  
 Bottom of Deck = 96"  
 Bottom of Bridge 8" Beams=88"

Note: "X" Bracing is required on Alternate Bearing Walls (20' O.C. see plan)  
**PARTIAL SECTION THROUGH BEARING WALL**

(Roll up door lower and upper)

2  
S1



DIMENSIONAL TOLERANCES IN INCHES		SCALE: NONE	PART NUMBER: N.A.	MANUFACTURED / PURCHASED: MANUFACTURED
① = ±.032	③ = ±.094	DATE: 03-03-05	DESCRIPTION: MEZZ DECK W/ PLYWOOD TOP	
② = ±.063	④ = ±.125	DRAWN BY: CDW	DRAWING NUMBER / FILE: A Mezz sections A	
ALL DIMENSIONS SHOWN ARE IN INCHES		CHECKED BY: -	NUMBER OF SHEETS: 2 OF 5	
The arrangements depicted herein are the sole property of US DOOR & BUILDING COMPONENTS and may not be reproduced in any form without it's written permission.				

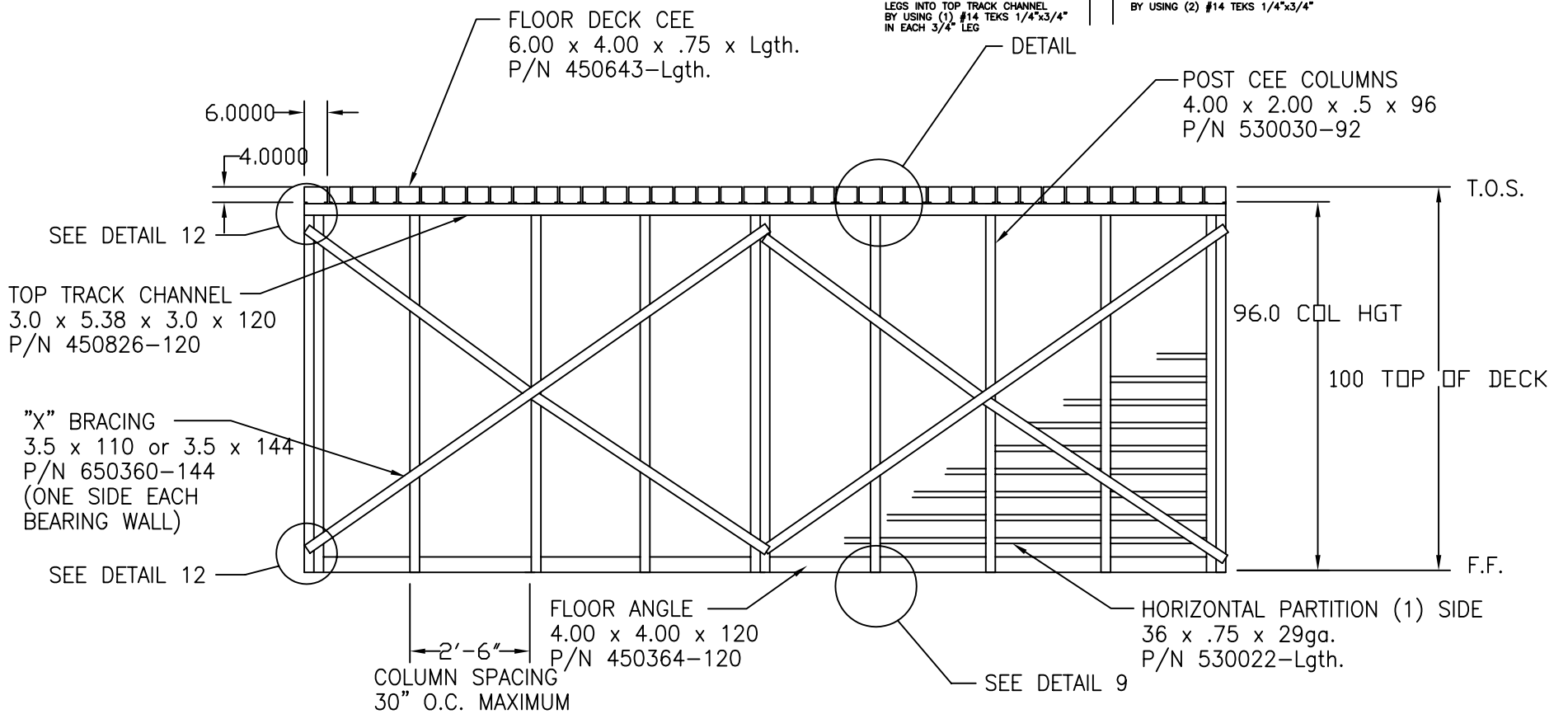
REV	DATE	ECN NO.	DESCRIPTION	APPVD:
-				

STITCH SEAM #14 TEKS  
APPROXIMATELY 12" O.C.

NOTE: NO GAPS BETWEEN CHANNELS

CONNECT 6"x4" DECK CHANNEL  
LEGS INTO TOP TRACK CHANNEL  
BY USING (1) #14 TEKS 1/4"x3/4"  
IN EACH 3/4" LEG

ATTACH TOP TRACK TO COLUMNS  
BY USING (2) #14 TEKS 1/4"x3/4"



**BEARING WALL SECTION** 3  
 REQUIRED 10' O.C. TYP. S1

**US DOOR** **roll·lite**  
**STORAGE SYSTEMS**  
 & BUILDING COMPONENTS 10407 Rocket Blvd. Orlando, FL 32824  
 407-859-6770 Website www.usdoor.com

**DIMENSIONAL TOLERANCES IN INCHES**  
 ① = ±.032    ③ = ±.094  
 ② = ±.063    ④ = ±.125

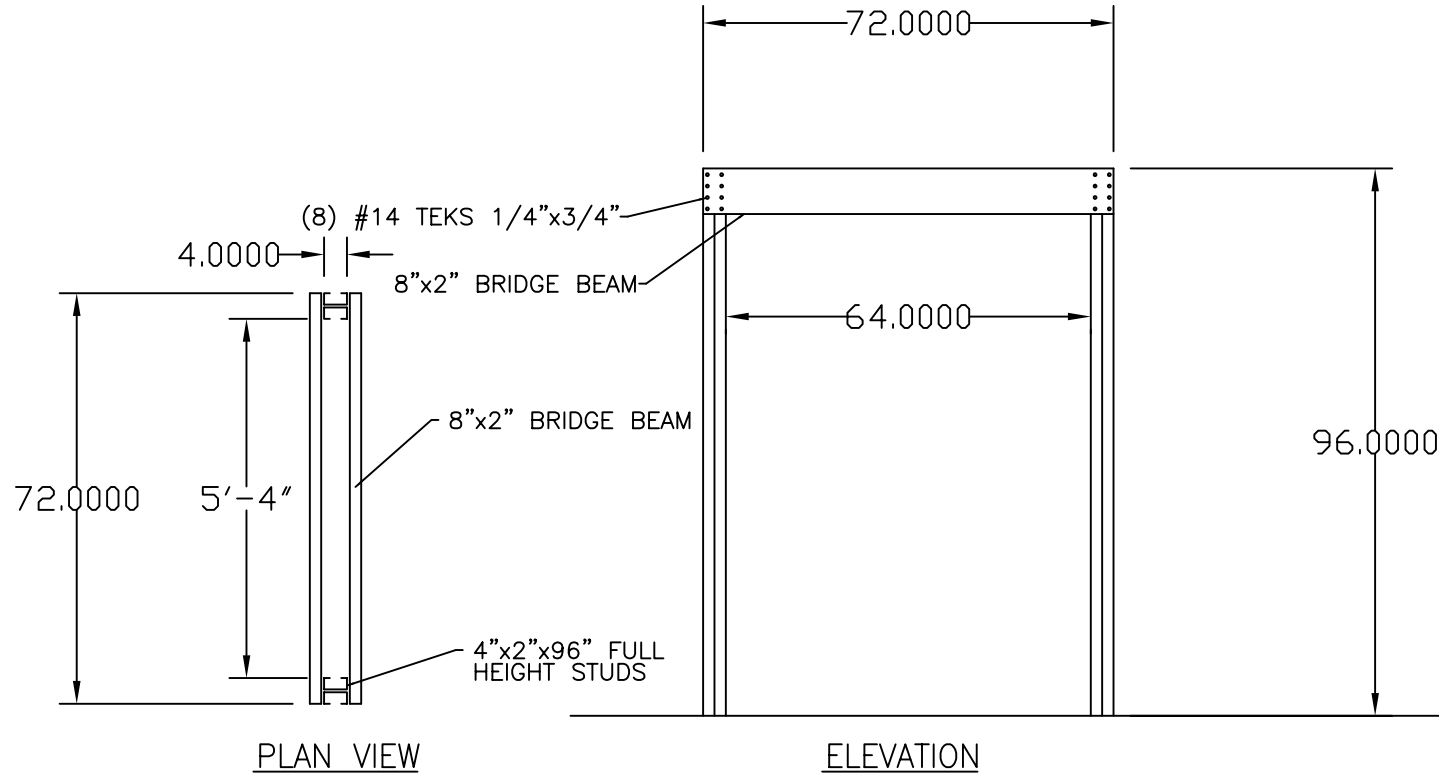
**ALL DIMENSIONS SHOWN ARE IN INCHES**

The arrangements depicted herein are the sole property of US DOOR & BUILDING COMPONENTS and may not be reproduced in any form without it's written permission.

SCALE: NONE  
 DATE: 03-03-05  
 DRAWN BY: CDW  
 CHECKED BY: -

PART NUMBER: N.A.	MANUFACTURED / PURCHASED MANUFACTURED
DESCRIPTION: MEZZ DECK W/ 6"x 4" CHANNELS	
DRAWING NUMBER / FILE A Mezz sections A	NUMBER OF SHEETS 3 OF 5

REV	DATE	ECN NO.	DESCRIPTION	APPVD:
-				



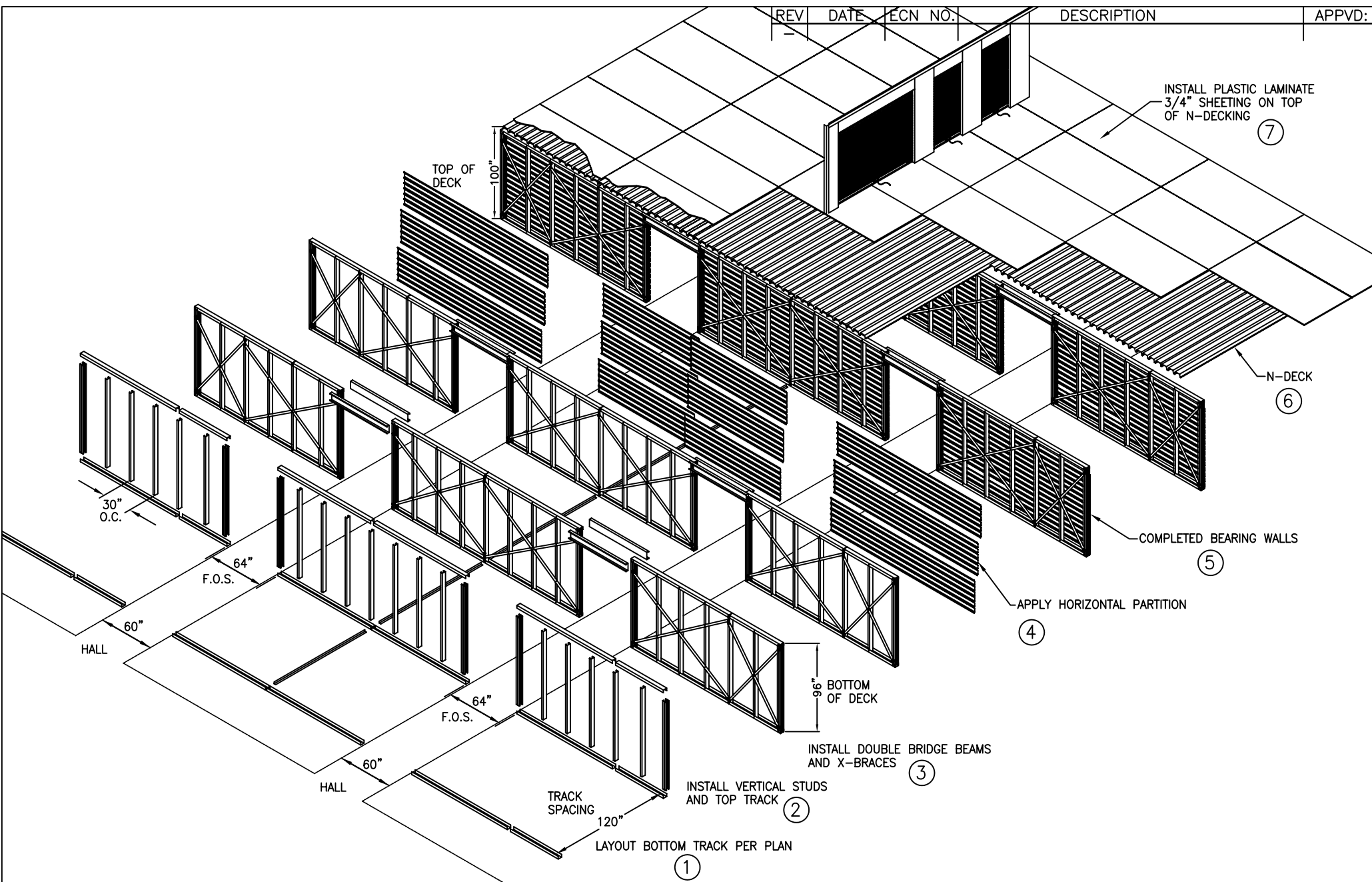
## BRIDGE BEAM DETAIL

REQUIRED 10' O.C. @ HALL TYP.

4  
S1

<b>DIMENSIONAL TOLERANCES IN INCHES</b> ① = ±.032    ③ = ±.094 ② = ±.063    ④ = ±.125	SCALE: NONE	PART NUMBER: N.A.	MANUFACTURED / PURCHASED MANUFACTURED
	DATE: 03-03-05	DESCRIPTION: MEZZ BRIDGE BEAM DETAIL	
<b>ALL DIMENSIONS SHOWN ARE IN INCHES</b> The arrangements depicted herein are the sole property of US DOOR & BUILDING COMPONENTS and may not be reproduced in any form without it's written permission.	DRAWN BY: CDW	DRAWING NUMBER / FILE A Mezz sections A	NUMBER OF SHEETS 4 OF 5
	CHECKED BY: -		

REV	DATE	ECN NO.	DESCRIPTION	APPVD:
-----	------	---------	-------------	--------



**US DOOR** *roll·lite*<sup>®</sup>  
**STORAGE SYSTEMS**  
 & BUILDING COMPONENTS 10407 Rocket Blvd. Orlando, FL 32824  
 407-859-6770 Website www.usdoor.com

**DIMENSIONAL TOLERANCES IN INCHES**  
 ① = ±.032    ③ = ±.094  
 ② = ±.063    ④ = ±.125

**ALL DIMENSIONS SHOWN ARE IN INCHES**  
 The arrangements depicted herein are the sole property of US DOOR & BUILDING COMPONENTS and may not be reproduced in any form without it's written permission.

SCALE: NONE  
 DATE: 03-03-05  
 DRAWN BY: CDW  
 CHECKED BY: -

PART NUMBER: N.A.	MANUFACTURED / PURCHASED MANUFACTURED
DESCRIPTION: MEZZ ISO DETAIL, STEP BY STEP	
A	DRAWING NUMBER / FILE Mezz sections A
	NUMBER OF SHEETS 5 OF 5